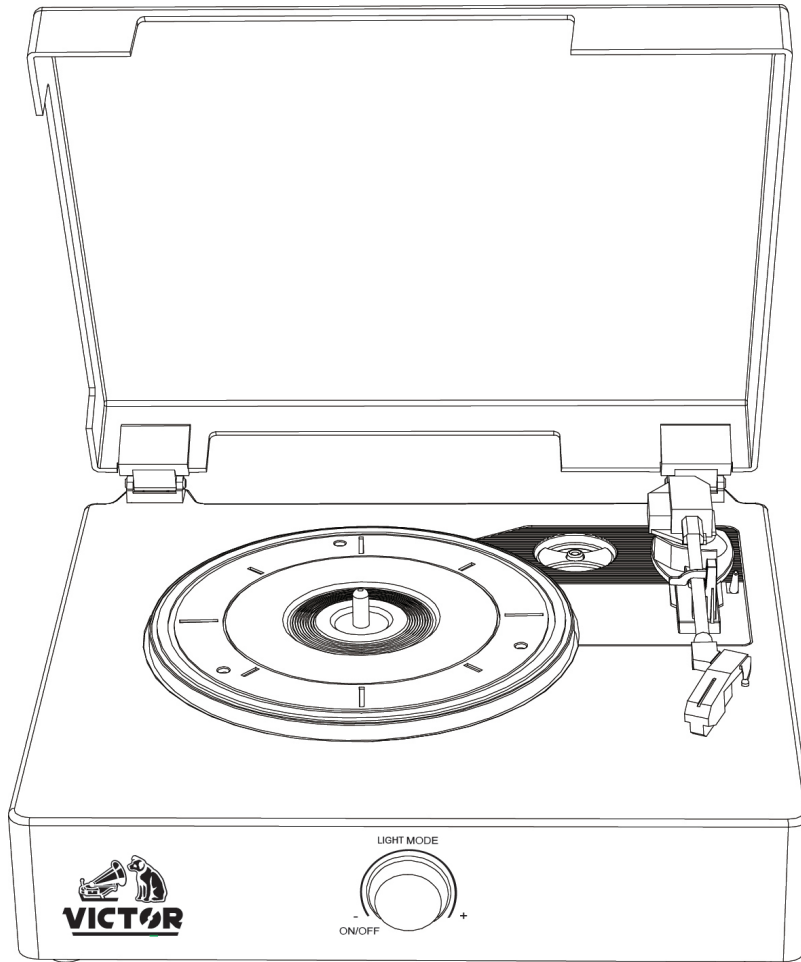




Mystic  
All-in-One Turntable with AudioStream™  
VHRP-1404



**READ INSTRUCTIONS CAREFULLY BEFORE USE.  
STORE IN A SAFE PLACE FOR FUTURE REFERENCE.**

## SAFETY INSTRUCTIONS

Read and understand this entire manual before using this product. Keep these instructions for future reference.

1. Do not use this product near water.
2. Operate this product only with the power source indicated on the label or in this manual.
3. Do not defeat the safety purpose of the polarized plug. A polarized plug has two blades, one wider than the other. If the plug does not fit fully into the outlet, try reversing it. If it still does not fit, contact a qualified electrician.
4. Protect the power cord from being walked on or pinched, especially at plugs, outlets, and where it exits the product.
5. Do not overload wall outlets or extension cords, as this may result in fire or electric shock.
6. Do not insert objects into the product openings, as they may contact dangerous voltage points or cause short circuits. Do not spill liquids on the product.
7. Do not attempt to service this product yourself. Refer servicing to qualified personnel.
8. Unauthorized changes or modifications may void the user's authority to operate this equipment.
9. Use only attachments recommended by the manufacturer.
10. Use caution when moving the product with a cart to avoid injury from tipping.
11. Do not block ventilation openings.
12. Unplug the product during lightning storms or when unused for long periods.

## PRODUCT OVERVIEW

### Getting Started

Remove the unit from the box. Remove any packaging from the unit. Place the packaging inside the box and either store or dispose of safely.

### AUDIOSTREAM™ (Bluetooth Out)

AUDIOSTREAM™ lets you wirelessly stream audio from this system to external Bluetooth speakers, earphones, headphones. In other words, AUDIOSTREAM™ is our branded name for the Bluetooth output feature. This is different from the Bluetooth® input function, which lets you play music from your smart device to this system. Thus, this device allows you to both wirelessly stream music into (i.e., Bluetooth In) or out of (i.e., Bluetooth Out) the device for your enjoyment.

## PACKAGE CONTENT

Before discarding any packaging materials, ensure that all items are included:

- Turntable
- Turntable lid
- 45 RPM adapter
- Power adapter
- Quick set up guide
- User Manual
- Warranty

Contact customer service if any items are missing. Keep the original packaging for returns or exchanges.

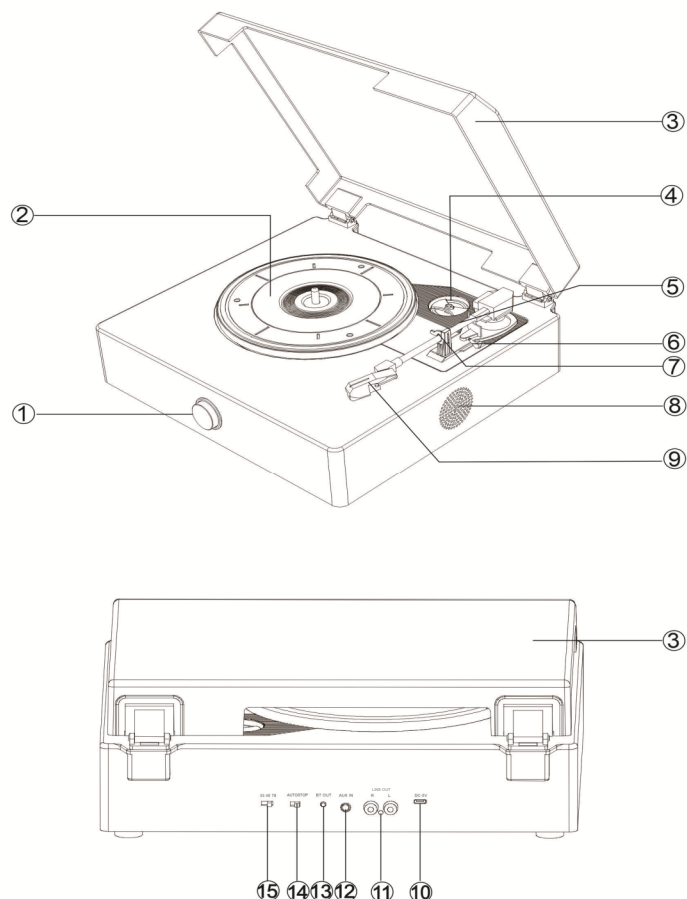
## SPECIFICATIONS

Item	Details
Bluetooth®	V5.3
Power	AC power adaptor, DC output 5V 1.2A
Max power consumption	15 W
Speaker	4Ω 3W x 2
Turntable speed	33 $\frac{1}{3}$ , 45, 78 RPM
Input	Aux In, BT In
Output	Line Out, BT Out

### Note:

Design and specifications are subject to change without notice.

## CONTROLS



- ❶ Power & Volume knob & Atmosphere lights control
- ❷ The Big-platter
- ❸ Transparent dust cover
- ❹ Adapter (available for 45rpm vinyl)
- ❺ Tonearm- Turntable and Bluetooth in switch
- ❻ Tonearm lift-lever
- ❼ Tonearm rest lock
- ❽ Speaker window (speakers in side: Right&left)
- ❾ Ceramic cartridge with diamond needle
- ❿ DC power socket (type-c)
- ⓫ RCA Line-out (Connect to mixer or amplifier with RCA cables- not included).
- ⓬ Aux audio in 3.5mm
- ⓭ Button for Bluetooth transmission
- ⓮ Auto-stop control
- ⓯ Speed selection ( 33 $\frac{1}{3}$ , 45, 78 rpm).

## GETTING STARTED

### MAIN CONNECTION

Ensure that the main voltage of your home corresponds to the operating voltage of the unit. Your device is ready to be connected to a main voltage of DC 5V 1.2A .

### AMPLIFIER CONNECTION

Connect RCA line-out sockets on rear of device to input sockets of audio mixer or amplifier:

- **Red plug into R/H channel input.**
- **White plug into L/H channel input.**

## TURNTABLE MODE

1. Place a record on the turntable.
2. If using a 45 RPM record, attach the adapter.
3. Select the desired speed (33 $\frac{1}{3}$ , 45, or 78 RPM).
4. Turn on the power knob.
5. Release the tonearm lock.
6. Gently move the tonearm toward the record.
7. Place the stylus on the record. Playback will begin automatically.
8. When playback ends:
  - If Auto-Stop is ON → platter stops automatically
  - If OFF → continues spinning (for long-play records)

## BLUETOOTH®

Bluetooth® mode activates when the tonearm is resting.

1. Open Bluetooth settings on your device (within 10 meters).
2. Select the device name VHRP-1404.
3. Once connected, audio will play through the turntable speakers.

### AudioStream (Bluetooth® Out Function):

1. Press the Bluetooth transmission button
2. Ensure your external Bluetooth device is in pairing mode.
3. The devices will connect automatically.
4. Audio will play through the connected device.

## ATMOSPHERE LIGHTS

Use the power knob to turn the lights on or off, or to adjust the lighting modes.

1. **Long press (2 seconds):** Turn lights ON/OFF
2. **Double-press** switch among 3 modes; **short press** to change light effects.

Multicolor Modes: Transition, Racetrack, Strobe, Snake, Waterfall, Chase

Music Pulse Modes: Red, Green, Blue, Yellow, Pink, Multicolor

Solid Color Modes: Red, Green, Blue, Yellow, Pink, White

### NOTE:

- Lift the tonearm and place it on the armrest.
- Replace the protective cap on the stylus and secure the tonearm lock.
- Turn off the power

## MAINTENANCE

### REPLACING THE STYLUS

- Refer to the figures 1-8



1 Release the tonearm lock.



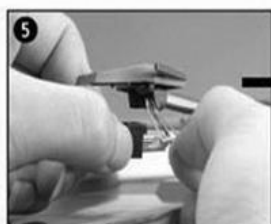
2 Remove the cartridge cover to expose the



3 Gently pull the cartridge away from



4 Disconnect the audio wires from the



5 Remove the old stylus from the



6 Install the new stylus or cartridge.



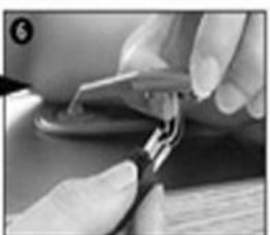
7 Reconnect the audio wires.



8 Remove the old Reattach the cartridge

### INSTALLING A NEW STYLUS CARTRIDGE

- Refer to the figures 5 & 6



### NOTES

To maintain optimal performance:

- Clean records regularly using an anti-static cloth or brush.
- Replace the stylus approximately every 250 hours of use.

### Stylus Cleaning:

- Use a soft brush lightly dipped in alcohol to clean the stylus.
- Always brush from back to front to avoid damage.

### WHEN TRANSPORTING YOUR RECORD PLAYER, DO NOT FORGET TO:

- Replace the protective cap on the stylus.
- Secure the tonearm using the tonearm lock (clip).

## FCC NOTICE

This device complies with Part 15 of the FCC Rules. Operation is subject to the following two conditions: (1) this device may not cause harmful interference, and (2) this device must accept any interference received, including that may cause undesired operation.

NOTE: This equipment has been tested and found to comply with the limits for a Class B digital device, pursuant to Part 15 of the FCC Rules. These limits are designed to provide reasonable protection against harmful interference in a residential installation. This equipment generates, uses, and can radiate radio frequency energy and, if not installed and used in accordance with the instructions, may cause harmful interference to radio communications. However, there is no guarantee that interference will not occur in a particular installation. If this equipment does cause harmful interference to radio or television reception, which can be determined by turning the equipment on and off, the user is encouraged to try to correct the interference by one or more of the following measures:

- Reorient or relocate the receiving antenna.
- Increase the separation between the equipment and receiver.
- Connect the equipment into an outlet on a circuit different from that to which the receiver is connected.
- Consult the dealer or an experienced radio/TV technician for help.

WARNING: Any changes or modifications not expressly approved by the party responsible for compliance could void the user's authority to operate this equipment.

The device must not be collocated or operating in conjunction with any other antenna or transmitter. To maintain compliance with the FCC's RF exposure guidelines, place the product at least 20cm from nearby persons.

## CAUTION ON MODIFICATIONS

Any changes or modifications not expressly approved by the grantee of this device may void the authority granted by the FCC to operate this equipment. Electric and electronic equipment contains materials, components and substances that can be hazardous to your health and the environment, if the waste material (discarded electric and electronic equipment) is not handled correctly. Electric and electronic equipment is marked with the crossed-out trash can symbol, seen the right side. This symbol signifies that electric and electronic equipment should not be disposed of with other household waste but should be disposed of separately. All cities have established collection points, where electric and electronic equipment can either be submitted free of charge at recycling stations and other collection sites or be collected from the households. Additional information is available at the technical department of your city.



## SUPPORT

We do our best to offer high quality products to our customers. If you experience any issues or problems with your product, please contact customer support as many issues can be quickly resolved.

If you have problems with your device, please consult the instructions in this manual. Please also visit us on the web at [www.victoraudio.com](http://www.victoraudio.com) to get up to the minute news, alerts, and documentation for your device. For additional assistance, please contact VICTOR Technical Support.

**VICTOR Technical Support**  
2320 East 49th Street  
Vernon, CA 90058  
Tel: (866) 411-6292  
Email: [support@victoraudio.com](mailto:support@victoraudio.com)

Made in China

\* This product has been manufactured and sold under the responsibility of NAXA ELECTRONICS INC. VICTOR and the DOG & GRAMOPHONE logo are trademarks used under license by NAXA ELECTRONICS INC. Further information at [www.victoraudio.com](http://www.victoraudio.com). All other products, services, companies, trademarks, trade or product names and logos referenced herein are the property of their respective owners