



9" TV & DVD Multimedia Boombox with
HD-Input
MODEL: EDL-2901



IMPORTANT

Please read before using and keep for future reference.

TABLE OF CONTENTS

IMPORTANT NOTES -----	1-2
IN THE BOX -----	3
LOCATION OF CONTROLS-----	4
NAME OF CONTROLS-----	4
REMOTE CONTROL -----	5-6
POWER SOURCE -----	6
BASIC FUNCTIONS -----	6
DVD MODE -----	6-7
PROGRAM MODE-----	7
TV MODE -----	8-9
BLUETOOTH MODE -----	9
AUX MODE -----	9
USB/CARD MODE -----	9
HD MODE-----	9
RADIO (AM/FM) MODE -----	10
SETUP MENU -----	10
OPTIONAL CONNECTIONS -----	11

TROUBLESHOOTING -----	11
COMPACT DISC MAINTENANCE -----	12
SPECIFICATIONS -----	12
FCC NOTICE & COMPLIANCE -----	13
SUPPORT INFORMATION -----	13

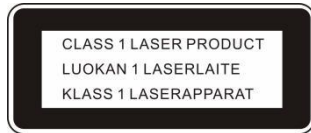
IMPORTANT NOTES

INTRODUCTION

- Thank you for buying this product.
- Please read through these operating instructions, so you will know how to operate your equipment properly. After you finish reading the instructions manual, put it in a safe place for future reference.

CAUTION

Use of controls or adjustment or performance of procedures other than those specified herein may result in hazardous radiation exposure.



This Compact disc player is classified as a Class 1 LASER PRODUCT. THE CLASS 1 LASER PRODUCT label is located on the rear exterior.

NOTE: The manufacturer is not responsible for any radio or TV interference caused by unauthorized modifications.

- Avoid installing the unit in locations described below:
 1. Places exposed to direct sunlight or close to heat radiating appliances such as electric heaters, or other equipment that radiate too much heat.
 2. Places subjected to constant vibration.
 3. Unventilated or dusty places.
 4. Humid or moist places.
- Operate buttons and switches as instructed in the manual.
- Before turning on the power for the first time, make sure that the power cord is properly installed and the voltage switch is correctly set.
- Store your CD or other devices in a cool area to avoid damage from heat.

CAUTION: TO REDUCE THE RISK OF ELECTRIC SHOCK, DO NOT REMOVE COVER (OR BACK). DO NOT OPEN THE UNIT. ANY SERVICING PLEASE REFER TO QUALIFIED SERVICE PERSONNEL.

WARNING:

- Remove batteries if exhausted or if they are not used for a long period.
- The incorrect use of batteries can cause electrolyte leakage and will corrode the compartment or cause the batteries to burst. Therefore:
- Do not mix battery types, e.g. alkaline with zinc carbonate.
- When inserting new batteries, replace all batteries at the same time.

IMPORTANT SAFETY GUIDELINES

- When using electrical devices, always observe basic safety precautions.

Precautions to be observed:

1. **Read the instructions** - Read all safety and usage guidelines before using the device.
2. **Retain the instructions** - Retain the safety and usage guidelines in case of any need for future reference.
3. **Observe warnings** - You must adhere to all warnings featuring on the device and in the manual.
4. **Follow the instructions** - You must observe all usage guidance and information.
5. **Cleaning** - Unplug the device from the wall outlet before cleaning. Refrain from using any liquid or aerosol cleaning agents.
6. **Accessories** - Refrain from using accessories that are not recommended by the manufacturer as they could present a possible risk.
7. **Water and humidity** - Avoid exposing the device to water and humidity. Protect this device from water and all other liquids; no object containing water, such as a vase, should be placed on this device.
8. **Positioning** - Place the device on a stable surface before any use. If poorly positioned, the device could fall and suffer damage. Its fall could also seriously injure a child or adult.
9. **Transport** - This device should be moved carefully to avoid any risk of damage or injury.
10. **Power supply** - This device should only ever be connected to a power supply which conforms to the information detailed on the data plate.
11. **Protection of electric cables** - The power cables must be protected against any risk of becoming tangled, stamped on or pinched.
12. **Overloading** - Do not overload the wall plug or extension cables as this will lead to a risk of fire and electrocution.
13. **Insertion of objects or liquids** - Refrain from inserting any objects into the device openings as they could meet live electrical components or cause a short circuit and there would be a risk of electrocution or fire.
14. Do not attempt to repair the device yourself. Opening or removing parts of the case may expose you to the risk of electric shock and other hazards. Refer all servicing and repairs to qualified professional personnel.
15. **Deterioration requires repairs** - Unplug the device from the wall and hire a qualified professional to carry out the repair in the following cases:
 - a) If the power cord or plug becomes damaged.
 - b) If any liquid or objects fall into the device.
 - c) If the device has been exposed to the rain or has met water.
 - d) If the device is not functioning properly even after you have followed the troubleshooting guidance in the manual.
 - e) If the device has fallen or suffered any damage and no longer functions as before.
16. **Replacement parts** - If a part needs to be replaced, ensure that the technician uses the replacement part specified by the manufacturer or a part with the same characteristics as the original part. The replacement of any parts with unauthorized parts can result in fire, electrocution or other dangers.
17. **Safety check** - After any maintenance operations or repairs are carried out on the device, ask the technician to carry out safety checks to ensure that the device is in sound working order.
18. **Heat** - This device must be placed away from sources of heat such as radiators, hot air outlets, ovens and other devices (including amplifiers) that produce heat.

Thank You

We know you have many choices when it comes to technology; thank you for choosing us here at Naxa Electronics. Established in 2001 in Los Angeles, California, we are dedicated to delivering products that entertain and delight.

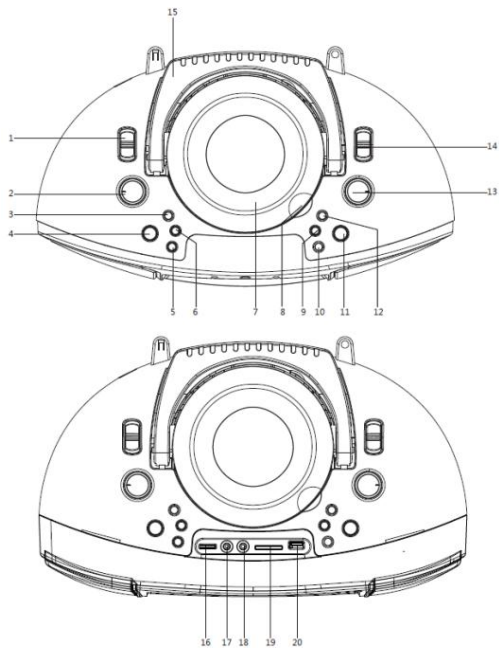
We trust that you will be happy with your purchase. Please read this manual carefully and save it for reference. You may also find the latest FAQ documentation, and other product material on our website. Come visit us on the web at **www.emersonaudio.com** and see all that we have to offer!

In the Box

Please take a moment to make sure that you have everything in the list below. Although we make every effort to ensure that each Naxa device is securely packed and sealed, we know a lot can happen in between us and you. If anything is missing, check back with your local retailer to get immediate assistance. If they cannot help you, please contact our Naxa Support team at **support@emersonaudio.com**.

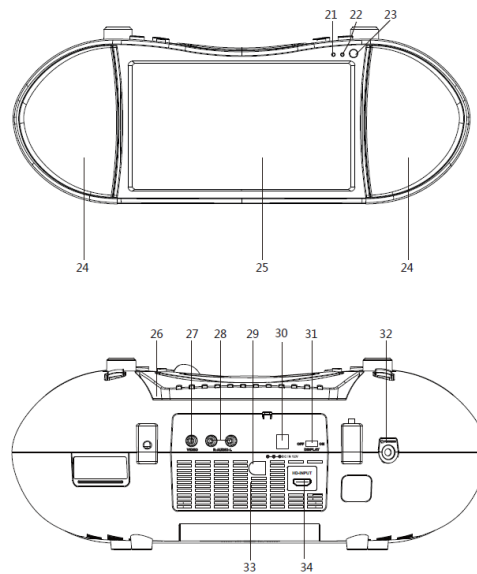
- EDL-2901
- AC Power Adaptor
- DC Car Power Adaptor
- A/V Cable
- Remote Control (2 x AAA Batteries Not Included)
- External Antenna
- User Manual
- Warranty Card
- Review Card

LOCATION OF CONTROLS



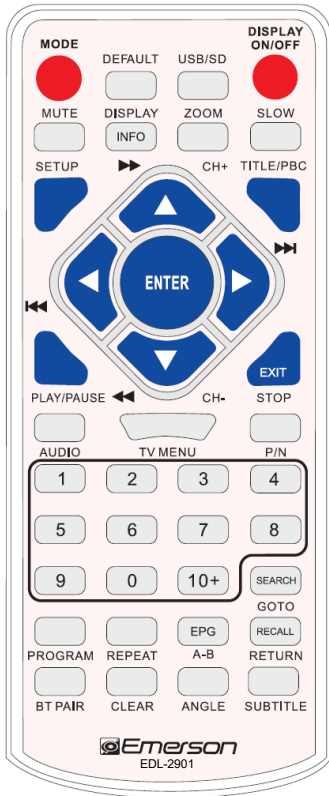
- | | |
|--------------------------|---------------------------|
| 1. POWER/FUNCTION SWITCH | 11. PLAY/PAUSE/ENTER/PAIR |
| 2. VOLUME DIAL | 12. FWD/UP |
| 3. BASS BOOST | 13. TUNING DIAL |
| 4. MODE/TV/MENU | 14. BAND SWITCH |
| 5. PREV/LEFT | 15. HANDLE |
| 6. NEXT/RIGHT | 16. MIC LEVEL DIAL |
| 7. DISC DOOR | 17. AUX IN JACK |
| 8. OPEN DISC DOOR | 18. MIC JACK |
| 9. REV/DOWN | 19. MEMORY CARD SLOT |
| 10. STOP/USB/CARD | 20. USB PORT |

NAMES OF CONTROLS



- | | |
|--------------------------|----------------------|
| 21. POWER INDICATOR | 28. STEREO AUDIO OUT |
| 22. FM ST/PAIR INDICATOR | 29. TV ANT INPUT |
| 23. REMOTE SENCOR | 30. DC POWER IN |
| 24. SPEAKERS | 31. DISPLAY SWITCH |
| 25. LCD SCREEN | 32. HEADPHONE OUT |
| 26. TELESCOPIC ANTENNA | 33. VENTS |
| 27. COMPOSITE VIDEO OUT | 34. HD INPUT |

REMOTE CONTROL



MODE	When the FUNCTION switch is set to TV/DVD/BT/AUX/HD-IN, press MODE to change the active function mode between DVD, BLUETOOTH, AUX, and HD-INPUT.
DEFAULT	Reset options.
USB/SD	While the FUNCTION switch is set to TV/DVD/BT/AUX/HD-IN, press to change to USB/SD mode at DVD/CD mode.
DISPLAY ON/OFF	Turn the LCD screen on or off. Make sure that the display switch on the back of the unit is set to ON.
MUTE	Disable or restore sound.
DISPLAY/INFO	View program and TV information on the LCD screen.
ZOOM	Change the zoom options.
SLOW	Slow motion playback.
SETUP	Access the system menu screen.
TITLE/PBC	Go to the DVD/SVCD title screen.
PLAY/PAUSE	Start, pause, or resume playback.
STOP	Stop playback.
UP/FWD/CH+	Browse up in a menu or scan forward quickly through a track. Tune to the next channel in the channel list when watching TV.
DOWN/REV/CH-	Browse down in a menu or scan backward quickly through a track. Tune to the previous channel in the channel list when watching TV.
LEFT/PREV	Browse left in a menu or skip to the previous track.
RIGHT/NEXT	Browse right in a menu or skip to the next track.
ENTER	Select an item from the menu.
AUDIO	Change the audio options.
TV MENU	Go to the TV menu.
P/N	Change between PAL, NTSC, and AUTO video modes.
NUMERIC KEYPAD (0-9, +10)	Use the keypad to enter a number value as necessary. Press +10 to skip forward 10 tracks.
GOTO/SEARCH	Go to a specific time point on a track. Search TV programs.
PROGRAM	Enter program mode to create a custom playlist.
REPEAT	Toggle the repeat playback mode.
A-B/EPG	Set Repeat A-B to loop a portion of a track. Show the TV program list.
RETURN/RECALL	Go back/go back to the previous TV program.
BT PAIR	Disconnect Bluetooth pairing
CLEAR	Cancel.
ANGLE	Change the camera view, extra angles are available.
SUBTITLE	Change the subtitle options.

Using the remote control

Aim the IR emitter of the remote control at the remote sensor and then press a key. The remote control will work within 15 feet of the remote sensor and at an angle less than 30 degrees.

Installing or replacing the batteries

The remote control requires 2 x “AAA” batteries to function. Alkaline batteries are recommended.

1. Find the battery compartment door at the back of the remote control. Press on the tab to release the door.
2. Load 2 new “AAA” size batteries into the battery compartment. Make sure to match the “+” and “-” poles of the batteries with the markings found inside the compartment.
3. Replace the battery compartment door.

POWER SOURCE

DC input operation

Plug the tail of supplied adaptor into DC IN Jack on the unit and the plug into household AC outlet. The batteries will be automatically disconnected.

DC operation

Open the BATTERY COMPARTMENT DOOR. Install 8pcs C size batteries (not included) into compartment. Please follow correct polarities as indicated.

CAUTION

Remove batteries if they are flat or not being used for a long period of time. Batteries contain chemical substances, so they should be disposed of properly.

Using the DC Car adaptor

Use the included DC car adapter to connect the player to DC power socket found on cars, campers, boats, and more.

Connect the large end of the DC car adaptor to a standard DC car power socket.

Connect the barrel plug end of the adaptor to DC IN Jack of the unit.

BASIC FUNCTIONS

Turning the unit ON/OFF

To turn the unit on, set the POWER/FUNCTION switch to any position other than OFF. The Power indicator will light red.

Adjusting volume

Turn the Volume dial clockwise to increase the volume.

Turn it counterclockwise to decrease the volume.

Press the MUTE key on the remote to disable sound output completely.

Press the MUTE key again to restore sound output.

Turning the screen on and off

You can turn the LCD screen off to conserve power. Press the Display ON/OFF key to turn the screen off. Press it again to turn it back on.

Note: You may want to turn the LCD screen off when listening to music or whenever you are not watching video.

The LCD screen consumes a lot of power. You can prolong the lifetime of your batteries if you avoid using the LCD screen.

Using the number keypad

Use the number keypad on the remote to input a value when prompted on a menu or option screen. For instance, to go to track 15:

1. Press the “1” key.
2. Press the “5” key.
3. Press the ENTER key.

DVD mode

To set the active source mode to DVD, set the Function switch to TV/DVD/BT/AUX-IN/HD-IN.

Playing a DVD

Load a DVD disc in the disc compartment. The player will automatically attempt to read the disc.

- Press PLAY/PAUSE/ENTER/PAIR to start, pause, or resume playback.
- Press STOP/USB/CARD to stop playback.
- Press the TITLE key on the remote to select a title to play. (This function will only work with DVDs that have been mastered with titles or chapters.)

During playback:

PREV/LEFT	Press to return to the beginning of the chapter. Continue pressing to skip to the previous chapter or until you have reached the beginning of the disc.
NEXT/RIGHT	Press to skip to the next chapter.
FWD/UP (FORWARD)	Press to change the rate of forward playback (2X, 4X, 8X, 20X). Press PLAY/PAUSE/ENTER/PAIR to resume playback at normal speed (1X).
REV/DOWN (REVERSE)	Press to change the rate of reverse playback (2X, 4X, 8X, 20X). Press PLAY/PAUSE/ENTER/PAIR to resume playback at normal speed (1X).
STOP	Press to stop playback. The player will remember the point at which you stopped the disc and resume playback from that point. Press again while playback is stopped to clear the saved time point from memory.
REPEAT	Using the remote, press to repeat the current chapter/track, title, or to repeat the entire disc.

Program mode

Use program mode to create a custom playlist of up to 16 titles, chapters, or tracks. Press PROGRAM on the remote to display the program menu. (Press PROGRAM again to cancel and exit Program mode.)

Programming DVD tracks

Use the arrow keys of the remote to change Program slots.

Use the number keypad of remote to enter a title/track/chapter number in each of the Program slots.

Programming CD and MP3 tracks

Use the arrow keys of the remote to select the desired program track, then press ENTER key to add it to the program list.

To start Program playback, use the arrow keys to highlight PLAY and then press the ENTER key.

To stop Program playback, press the STOP key. To clear the program list, press the STOP key again while play is stopped.

Playing digital music/video files

This unit will play discs that contain digital media files instead of DVD video. Refer to the specifications section to learn more about media file compatibility.

When a disc is loaded that contains files, the unit will read the disc and then list all of the files and folders on the LCD screen.

Use the direction buttons to browse the file/folder list; press PLAY/PAUSE/ENTER/PAIR to select an item from the list.

if the item selected was a folder, the unit will display the contents of the folder.

if the item selected was a photo file, the unit will display the photo (and continue displaying any other photos as slider show)

Note: The unit will return to the file list when the slideshow ends.

During playback:

PREV/LEFT	Press to skip to the previous photo.
NEXT/RIGHT	Press to skip to the next photo.
FWD/UP	Press to rotate the photo clockwise.
REV/DOWN	Press to rotate the photo counterclockwise.
STOP	Press to stop the slideshow and see a thumbnail index. Use the direction keys to select a thumbnail to view it or choose one of the menu items at the bottom of the screen. Slide show: return to viewing the slideshow. Menu: View photo controls. Previous: Display the previous page of thumbnails. Next: Display the next page of thumbnails.
Numeric Keypad (0-9, +10)	Using the remote, enter a track number and then press ENTER to skip directly to it.
ZOOM	Using the remote, press to increase the magnification level of the current photo. When magnification is greater than 100%, you can use the direction keys to pan around the photo. Continue pressing ZOOM to return to a normal 100% view.
REPEAT	Using the remote, press to repeat the current photo or all photos in the folder.
PROGRAM	Using the remote, press to change the slideshow transition effect.

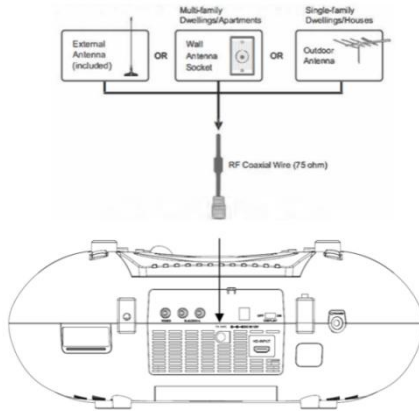
TV mode

To set the active source mode to TV:

1. Set the Function switch to TV/DVD/BT/AUX/HD-IN.
2. Press the MODE/TV menu to change from DVD to TV mode.

Note: You must connect an antenna to the TV ANT connector found on the back of the unit. The built-in telescopic rod antenna is not used by the TV tuner. An external antenna is included in the box.

Connecting an External Antenna



Connect the included external antenna to receive TV signals. (The telescopic rod antenna cannot be used with the TV.) You may also connect to a 75-ohm coaxial cable antenna line from a wall socket or outdoor antenna. Large antennas, powered antennas, and/or outdoor antennas will improve the TV signal.

About antennas and channel reception

TV channel reception can be affected by several things, including:

- Distance between the unit and the broadcaster.
- Terrain and obstacles between the unit and broadcaster.
- Interference from other devices or the weather.

If you are having trouble receiving channels, you may need a larger antenna.

• Channel search

Search for available channels and add them to the channel list. You will need to add channels to the channel list before using the TV.

1. Press and hold MODE/TV MENU to access the TV menu. (The TV menu will automatically be displayed if this is the first time you are using the TV or if there are no channels in the channel list.)
2. Press FWD/UP or REV/DOWN to select **Search Menu**; press PLAY/PAUSE/ENTER/PAIR to enter.
3. Press FWD/UP or REV/DOWN to select **Country**; press PREV/LEFT or NEXT/RIGHT to change the location (e.g., USA)
4. Press FWD/UP or REV/DOWN to select **Auto Search**; press PLAY/PAUSE/ENTER/PAIR to enter.

Note: Perform a new channel search when you change the location of the unit.

Watching TV

After you have searched for and added channels to the channel list, you can do the following while watching TV:

FWD/UP (CH+)	Press to tune the next channel in the channel list.
REV/DOWN (CH-)	Press to tune to the previous channel in the channel list.
PLAY/PAUSE/ENTER/PAIR	Press to view the channel list. Press again to pick a channel to watch.
Numeric Keypad (0-9)	Enter a channel number and then press ENTER to tune to a channel directly. To tune to a sub-channel, enter the entire channel number. For example, press "1" "3" "2" to tune to channel 13-2.
MODE/TV MENU	Press and hold to view the TV options menu.

TV Options Menu

Adjust the options for the TV.

While in TV mode, press and hold MODE/TV MENU to access the TV options menu. Use the direction keys to browse the menu screens and adjust the options (PREV/LEFT, NEXT/RIGHT, FWD/UP, REV/DOWN).

Press PLAY/PAUSE/ENTER/PAIR to confirm a highlighted selection.

Press and hold MODE/TV MENU to go back to the previous level on screen.

Note: You may also use the arrow keys and the ENTER key on the remote control.

Search Menu Options

Country	Set the location of the unit.
Auto Search	Automatically find TV signals within reception range and save them to the channel list. This will overwrite any previously saved channel list.
Manual Search	Manually find a TV channel.

Config Menu Options

Software update	For use by qualified service personnel only.
Information	Display system diagnostic information.
Restore factory default	Return all the TV options to their default settings.

Bluetooth Mode

1. Set the Function switch to TV/DVD/BT/AUX/HD-IN.
2. Press MODE/TV MENU to change from DVD to BT MODE. The FM ST/PAIR indicator will light up blue.
3. Turn on the Bluetooth function on the device, scan the unit "EDL-2901" and connect, then input the password 0000 if required, the FM ST/ PAIR indicator will light a steady blue to indicate connection done.
4. Turn the Volume dial on the unit or adjust the volume on the external device to increase or decrease the music volume to your desired level.

Note: The Bluetooth works best within 10 meters in open air.

AUX Mode

To set the active source mode to AUX input:

1. Set the Function switch to TV/DVD/BT/AUX/HD-IN.
2. Connect an audio player to the AUX IN jack on the unit with 3.5 mm AUX IN cable. (audio cable is not included)
3. Turn the Volume dial on the unit or adjust the volume on the external device to increase or decrease the music volume to your desired level.
4. Control the playback with your audio device.

Note: AUX mode is for audio use only. When in AUX mode, the LCD screen will automatically turn off.

USB/Card Mode

To set the active source mode to USB or card (SD):

1. Set the Function switch to TV/DVD/BT/AUX/HD-IN.
2. Press and hold STOP/USB/CARD to change from DVD to USB or card (SD). The LCD screen will display "Detecting Device" then show a list of files on your USB drive or SD card.

Note: A USB drive or SD card with present. If the unit cannot find a USB drive or SD card, it will return to DVD mode.

To change between USB, CARD, and DVD modes, press and hold STOP/USB/CARD. This unit will play digital media files from USB or SD memory cards.

When a USB/SD card is loaded that contains files, the unit will read it and then list all the files and folders on the LCD screen.

Use the direction buttons browse the file/folder list, press PLAY/PAUSE/ENTER/PAIR to select an item from the list.

If the item selected was a folder, the unit will display the contents of the folder.

If the item selected was a music, video, or photo file, the unit will start playback.

Playback controls for USB/Card mode are identical to those in DVD mode. Please refer to the following sections to learn more about the controls available to you during digital media playback:

- DVD Mode > Playing Digital Music/Video files
- DVD Mode > Playing Digital Photo Files

HD Mode

1. Set the Function switch to TV/DVD/BT/AUX/HD-IN.
2. Press the MODE/TV MENU to select HD-Input function.
3. Connect a HD cable or HD device to the HD-INPUT JACK on the back of the unit for audio and video input.
4. Use the external device controls to play the audio tracks.

Radio (AM/FM) Mode

To set the active source mode to Radio, set the Function switch to Radio.

Note: To optimize reception when listening to stations on the FM band, extend the telescopic antenna to its full length. To optimize reception for AM band stations, gently move the unit around, or position the unit in an open place.

Tuning to a Radio station

- Select the band.
 - Set the BAND switch to AM to tune to AM radio frequency.
 - Set the BAND switch to FM to tune to FM radio frequency.
- Tune to a station by turning the TUNING dial.

Note: The FM ST/PAIR indicator will light red when the tuner is locked onto an FM stereo broadcast.

Setup Menu

Access the setup menu to adjust the player options.

- The setup mode can only be accessed via remote control. Press Setup key to access the Setup menu. (The "Preference Page" options will not be available unless the player is stopped completely.)
- Use the remote's directional keys to browse the menu screens and adjust the options (PREV/LEFT, NEXT/RIGHT, FWD/UP, REV/DOWN).
- Press PREV/LEFT to go back to the previous level or screen.
- Press the ENTER key on the remote control to confirm a highlighted selection.

System Setup Page

TV System	<p>NTSC: Select this mode if the unit is connected to an NTSC-format TV (used in America, Canada, etc). It will convert the video signal of a PAL disc and output in NTSC format.</p> <p>PAL: Select this mode if the unit is connected to a PAL-format TV (used in China, Hong Kong, Europe, etc). It will convert the video signal of an NTSC disc and output in PAL format.</p> <p>AUTO: Select this mode to have the system detect the video signal of the disc and match the video signal output format to it.</p>
-----------	---

Power Resume	<p>During playback or in the paused/stopped mode when you open the disc tray, the unit will memorize the last playback time. The next time that you insert the same disc and close the disc tray to load the disc, the unit will play from the memorized point.</p> <p>Off: Disables this function.</p>
Screen saver	<p>On: If the image remains motionless on the screen for several minutes, (e.g., the disc is paused, stopped etc.) a screen saver will appear on the screen. Press any key to exit the screen saver.</p>
TV type	<p>Normal/PS (Pan and Scan): The widescreen image is displayed in its native aspect ratio, with portions of the left and right sides cut off.</p> <p>Normal/LB (Letterbox): The widescreen image is displayed in its native aspect ratio with black bands at the top and bottom of the screen.</p> <p>Wide (16:9): Select this option if the unit is connected to a widescreen TV. Widescreen images are displayed full screen in their native aspect ratio, while 4:3 images are stretched horizontally to fill the screen</p>
Default	<p>Reset: Restore all options to factory default state.</p>

Language Setup page

OSD Language	<p>On screen display language. Set the language of the on-screen display and system menus with this item.</p>
Audio Lang	<p>Select a preferred audio language. You can change the audio language by pressing the AUDIO key on the remote control.</p> <p>(If the selected language is not available for the disc, the disc's default setting will remain enabled.)</p>
Subtitle Lang	<p>Select a preferred subtitle language. You can change the subtitles by pressing the SUBTITLE Key on the remote control.</p> <p>(If the selected language is not available for the disc, the disc's default setting will remain enabled.)</p>
Menu Lang	<p>Select a preferred subtitle language.</p> <p>(If the selected language is not available for the disc, the disc's default setting will remain enabled.)</p>

Audio Setup Page

Downmix	Downmix > LT/RT: Rear surround audio is mixed and output through both left and right speakers Downmix > Stereo: Rear surround audio is kept in separate channels. Rear left audio is output through the left speaker; rear right audio is output through the right speaker.
Key	Shift the key (pitch) for karaoke discs (+4, +2, 0, -2, -4).

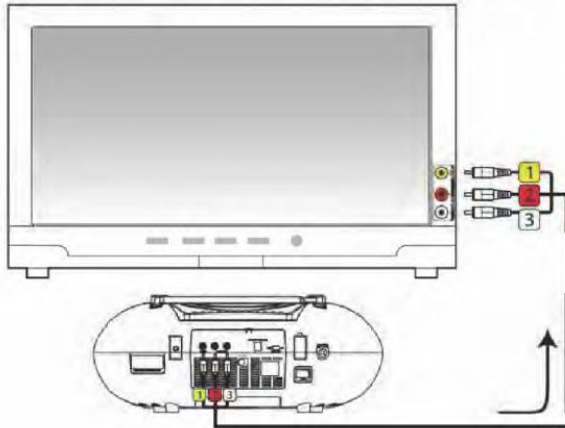
Video Setup Page

Panel Quality	Apply image correction options in varying intensities. (Press PLAY/PAUSE/ENTER/PAIR or ENTER to apply the image correction.)
	Brightness Contrast
	Hue Saturation
	Sharpness

Optional Connections

Connect to a TV (AV out)

Use your DVD boombox at home with a TV! The TV will need to be able to accept a composite video signal.



With the included AV cable

1. Connect the yellow plug of the cable to the yellow composite video input of the TV.
2. Connect the red plug of the cable to the red audio input (right) of the TV.
3. Connect the white plug of the cable to the white audio input (left) of the TV.
4. Connect the yellow, red, and white plugs on the other end of the cable to the A/V OUT jacks on the back of the unit (i.e., Composite video out (yellow) and Stereo audio out (red and white)).
5. Turn the TV and the unit on.
6. Set the TV to display the composite video source. You will see the unit's output on the screen when the source is set correctly.

Troubleshooting

Unable to play a disc	<ul style="list-style-type: none"> • The disc is loaded incorrectly in the disc tray. • The disc is incompatible with the unit. • Check that the disc is placed in the disc tray with its label side facing up. • Load a compatible disc. Refer to the "About Optical Discs" section of this manual to review disc compatibility requirements. • Try cleaning the disc. A disc may be unplayable if it is too scratched or otherwise damaged.
The remote control does not function	<ul style="list-style-type: none"> • There is no battery in the remote control or the battery has lost its charge. • The remote control isn't pointed at the remote sensor. • The remote control is beyond its working distance. • The unit has shut down. • Install two new "AAA" batteries in the remote control. • Make sure that there are no large objects between the remote control and the sensor on the front panel of the unit. • Make sure the remote control is within 15 feet of the sensor. • Switch the unit off and disconnect it from the AC outlet. Then, reconnect the power and switch it on again.
The unit will not turn on	<ul style="list-style-type: none"> • There is no power. • Please check that the AC or DC power cord is connected securely and that the outlet is providing power.

COMPACT DISC MAINTENANCE

1. Notes on handling discs

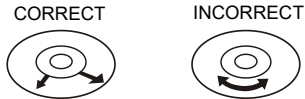
- Removing the disc from its storage case and loading it.
- Do not touch the reflective recorded surface.
- Do not stick paper or write anything on the surface.
- Do not bend the disc.

2. Storage

- Store the disc in its case.
- DO not expose discs to direct sunlight or high temperatures, high humidity or dusty places.

3. Cleaning a disc

- Should the disc become soiled, wipe off dust, dirt and fingerprints with a soft cloth.
- The disc should be cleaned from the center to the edge.



FROM THE CENTRE TO THE EDGE

- Never use benzene, thinners, record cleaner fluid or anti-static spray.
- Be sure to close the CD door, so the lens is not contaminated by dust.
- Do not touch the lens.

SPECIFICATIONS

GENERAL

Power Source: DC IN 12V 2A

DC 12V 1.5V UM-2/C x 8pcs (Batteries Not Included))

Power consumption: 20 Watts

Power output: 2.5 Watts x 2

Screen Type: 9" TFT LCD, resolution: 800 x 480

Operation temperature: **41°F – 95°F**

RECEIVER SECTION

Frequency range: FM: 88 - 108 MHz

AM: 530-1710 KHz

Antenna: FM rod antenna

OUTPUT

RCA composite video

RCA Stereo audio

3.5 mm headphones

INPUT

USB

SD Card

Bluetooth

Coaxial RF (TV Antenna)

3.5 mm AUX audio

3.5 mm microphone

HD-Input

BLUETOOTH

Bluetooth Version: 5.4

DISC SUPPORT: DVD, DVD±R/RW, CD, CD-R/RW

PLAYABLE MEDIA FORMATS

Video: MPEG-2 (DVD), MPEG-1

Audio: CD-audio, MP3, WMA, AC-3, OGG

Specifications are subject to change for continuous improvement; we reserve the rights to modification without prior notice.

FCC Notice:

NOTE: This equipment has been tested and found to comply with the limits for a Class B digital device, pursuant to Part 15 of the FCC Rules. These limits are designed to provide reasonable protection against harmful interference in a residential installation. This equipment generates uses and can radiate radio frequency energy and, if not installed and used in accordance with the instructions, may cause harmful interference to radio communications. However, there is no guarantee that interference will not occur in a particular installation. If this equipment does cause harmful interference to radio or television reception, which can be determined by turning the equipment off and on, the user is encouraged to try to correct the interference by one or more of the following measures:

- Reorient or relocate the receiving antenna.
- Increase the separation between the equipment and receiver.
- Connect the equipment into an outlet on a circuit different from that to which the receiver is connected.
- Consult the dealer or an experienced radio/TV technician for help.

WARNING: Changes or modifications not expressly approved by the party responsible for compliance could void the user's authority to operate the equipment.

The device has been evaluated to meet general RF exposure requirement. The device can be used in portable exposure condition without restriction.

SUPPORT

If you have problems with your device, please consult the instructions in this manual. Please also visit us on the web at www.emersonaudio.com to get up to the minute news, alerts, and documentation for your device. For additional assistance, please contact Emerson Technical support.

EMERSON Technical Support
2320 East 49th ST
Vernon, CA 90058
Tel: (866) 411-6292
Email: support@emersonaudio.com

Made in China