

L500520.9.0
17/05/2023

 **Airfree**[®]



Airfree[®] ELITE



Index

Important Safety Instructions	4
Installing and Connecting	5
App.....	6
Remote Control	6
Technical Characteristics	7
How Airfree® Works?	8
Airfree® Description.....	8
Frequently Asked Questions	9
Warranty	11

Copyright 2020 Airfree® Productos Electrónicos S.A. All Rights Reserved.

No part of this publication may be reproduced, photocopied, transmitted, transcribed, stored in a retrieval system, or translated into any language in any form or by any means without the express prior written consent of Airfree® Productos Electrónicos S.A.



Read operator's manual before usage.



For indoor use only.



Double insulated electrical appliance.



When discarding this product, it must be sent to separate collection facilities for recovery and recycling. By separating this product from other household-type waste, the volume of waste sent to incinerators or land-fills will be reduced and natural resources will thus be conserved.

Índice

Importante Instrucciones de Seguridad	12
Instalación y Conexión	13
App.....	14
Control Remoto	14
Características Técnicas.....	15
¿Cómo Funciona Airfree®?	16
Descripción de Airfree®.....	16
Preguntas Frecuentes	17
Garantía.....	19

Derechos de autor 2020 Airfree® Produtos Electrónicos S.A. Todos los derechos reservados.

Ninguna parte de esta publicación puede ser reproducida, fotocopiada, transmitida, transcrita, almacenada en un sistema de recuperación ni traducida a cualquier idioma de cualquier forma o por cualquier medio sin el consentimiento previo expreso por escrito de Airfree® Produtos Electrónicos SA.



Lea el manual del operador antes de su uso.



Solo para uso en interiores.



Aparato eléctrico con doble aislamiento.



Al desechar este producto, debe enviarse a instalaciones de recogida selectiva de residuos para su recuperación y reciclaje. Mediante la separación de este producto de otros residuos de tipo doméstico, se reducirá el volumen de residuos enviados a incineradores o vertederos y, por tanto, se conservan los recursos naturales.

Index

Important Consignes de Sécurité	20
Installation et Branchement.....	21
App	22
Télécommande	22
Caractéristiques Techniques.....	23
Comment Airfree® Fonctionne-t-il ?	24
Description de Airfree®.....	24
Foire aux Questions.....	25
Garantie.....	27

Copyright 2020 Airfree® Produtos Electrónicos S.A. Tous droits réservés.

Aucune partie de cette publication ne peut être reproduite, photocopiée, transmise, transcrite, stockée dans un système de récupération ou traduite dans n'importe quelle langue, sous quelque forme ou par quelque moyen que ce soit, sans l'autorisation expresse préalable d'Airfree® Produtos Electrónicos S.A.



Lisez le manuel de l'opérateur avant utilisation.



Utilisation en intérieur uniquement.



Appareil électrique à double isolation.



Si vous devez jeter ce produit, il doit être envoyé aux installations de collecte pour la récupération et le recyclage. En séparant ce produit des autres déchets de type domestique, le volume de déchets envoyés aux incinérateurs ou décharges sera réduit et les ressources naturelles seront ainsi conservées.

IMPORTANT SAFETY INSTRUCTIONS

When installing and using this electrical equipment, basic safety precautions should always be followed, including the following:

READ AND FOLLOW ALL INSTRUCTIONS.



Airfree® is not intended for use by persons with reduced physical, sensory or mental capabilities, or lack of experience or knowledge. Children should be supervised to ensure that they do not play with the appliance.



Do not place your Airfree® in direct contact with water or liquids as it can cause an electric and harmful shock hazard and damage to the unit itself.



Do not obstruct Airfree® air outlets with items such as towels, clothing, curtains, as it will increase heating inside the ceramic core causing the device to shut off. If such condition persists a general cut-off system will cut power supply requiring replacement of the circuit board by an authorized dealer. This incident is not covered by the Airfree® warranty.



Do not attempt to open Airfree® or touch its internal components. Do not insert any objects as it may cause electric shock. Any attempt to open or tamper Airfree® will void the warranty.



To clean Airfree®, unplug it from the electric outlet and use a dry cloth to wipe off its surface. Do not attempt to open Airfree® to clean it inside which is not necessary.



If the supply cord is damaged, it must be replaced by the manufacturer, its service agent or similarly qualified persons or any authorized warranty service shop to avoid potential hazard events. When returning your Airfree® for repair please make sure it is well protected preferably inside its original box, to avoid additional damages.



Airfree® shall not be placed near flammable and toxic products.

(*) Please read carefully the “Technical Characteristics“ in order to check which models incorporate the Night Light or multi-color Night Light features.

SAVE THESE INSTRUCTIONS

Installing and Connecting



Plug the power cord into the nearest outlet. Make sure the surface is dry (never place Airfree® on wet floor or immerse it in water). Make sure the On/Off led is on. Adjust the Night Light intensity with the touch sensor. After 30 minutes the top lid should be warm.*



Place Airfree® on a flat surface, not under furniture, shelves, or behind curtains as it will interfere with airflow and Airfree® efficiency in destroying microorganisms.



Check if the area is compatible with the unit capacity to achieve best unit performance. Using Airfree® in rooms larger than its capacity will greatly reduce its purifying capacity.



Airfree® must be continuously on in the same room, 24 hours a day. Nevertheless, temporarily removing it from the room will allow new microorganism contamination to grow but it will be destroyed when Airfree® is plugged in again. The longer the period without Airfree® the higher the new contamination in the room.



Rooms with air condition or ventilation will not affect the air sterilization efficiency of your Airfree®. Same for Heating systems.



Airfree® can be placed in corridors but the air sterilization effects will barely have any effect in connecting rooms.



Avoid place the unit near open doors or windows to prevent some of the sterilized air to exit the room.

SHORT POWER CORD INSTRUCTIONS

- A short power supply cord is provided to reduce the risk resulting from becoming entangled in or tripping over a longer cord.

- Extension cords are available and may be used if care is exercised in their use.

- If an extension cord is used, the marked electrical rating of the extension cord should be at least as great as electrical rating of the appliance, and the longer cord should be arranged so that it will not drape over the counter or table top where it could be pulled on by children or tripped over unintentionally.



POLARIZATION INSTRUCTIONS

This appliance has a polarized plug (one blade is wider than the other). To reduce the risk of electric shock, this plug will fit in a polarized outlet, reverse the plug. If it still does not fit, contact a qualified electrician. Do not modify the plug in any way



To turn the fan ON or OFF, press and hold the sensor touch button for at least 6 seconds. Top light - Press the same sensor touch button multiple times to achieve the desired light brightness or to turn it off completely.









For faster air sterilisation select the boost mode. This function will turn on the fan on 3 different speed options to increase the air flow, usually for 1/2 hour or 1 hour.

App

Connecting the Airfree App

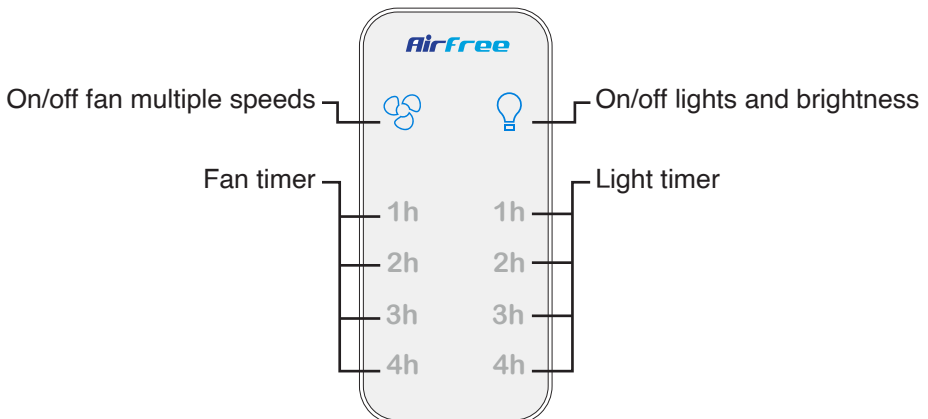
1. Download the Airfree App to your smartphone (available for IOS and Android), or use Tuya App if you already have it. Available at the App Store and Google store.
2. Make sure to turn the bluetooth and wi-fi on.
3. Create a new account following the on-screen instructions.
4. Press both the lamp and fan touch sensors at the same time, to start pairing - the fan icon will show a pink flashing light.
5. Add the device.
6. Once detected add the Airfree ELITE to the App devices list.

App Operation:

-  Press to select light intensity.
-  Press to select the light timer.
-  Press to select fan speed.*
-  Press to select fan timer.
-  Press to check particle capsule usage-life.
-  Press to reset particle capsule life after replacing it.

* Auto mode on Elite II to activate Capsules when necessary.
Elite II has pollutant sensors and monitor the indoor air quality (TVOC and PM 2.5)

Remote Control



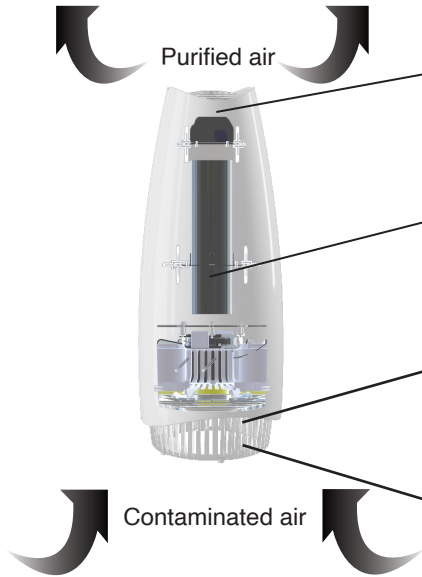
The infrared remote control will only work if pointed upwards to the Airfree ELITE bottom lid

Technical Characteristics



Model	ELITE
Capacity	750 sq. ft.
Electric Consumption	62 W
Voltage	120 V
Noise	Totally silent with just the TSS™ ON, less than 20db, when fan in ON
Weight	3,75 lb/1,7 kg
Dimensions	Height: 17.7 in / 45cm Ø: 7.3 in / 18,5 cm
Color	White
Night Light	Blue

How Airfree® Works



Cooling Chamber

Cold and clean air is delivered to the environment without any noticeable change in room temperature or humidity.

TSS™ Sterilizing Ceramic Core

Inside the ceramic core, 99.99% of bacteria, viruses, mold, fungi, pet allergens, dust mite and spores are destroyed.

Carbon and Particle Capsules

The capsules will remove dust, tinny particles, chemical pollution, VOCs, smoke and bad odors.

Air Inlets

Contaminated air enters through the bottom air inlets either.

Regardless of how hazardous a virus, fungus or bacteria might be they are fully destroyed by the powerful heat inside the TSS™ ceramic core mini ducts. The heat inside the ceramic core forces sterilized air up to the heat exchanger causing air convection, which generates negative pressure underneath the ceramic core, so contaminated air is “sucked” in at Airfree® bottom air inlets in a continuous, silent, and efficient air flow.

Airfree® Description

1- Sterilised air outlet - Top light

2- Light intensity touch sensor

3- Fan Speed (4 levels)

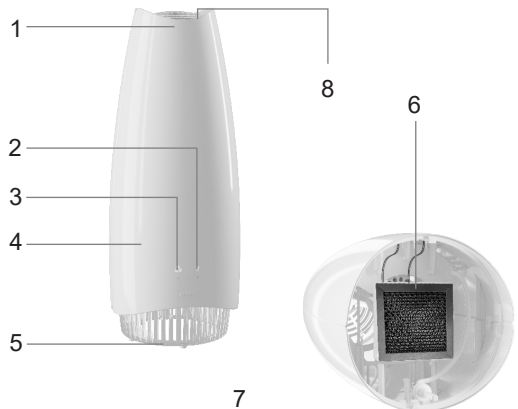
4- Side shells

5- Bottom air inlet

6- Contaminated air inlet

7 - Power cord

8 - Serial Number



The top Night Light does not interfere with the TSS™ air sterilization process of your Airfree®.

Frequently Asked Questions

1. How do I know if my Airfree® is working?

Check the top lid, if cold the sterilization system is not working. Please connect it to another outlet and make sure the unit is in its vertical position for at least 1 minute. Also check if the fan is working when activating the “boost mode”.

2. Are there any side effects?

No. Airfree®'s new technology uses heat to purify the air with meaningless heat contribution to the room. No side effects, no emissions, NO IONS, nor new particles are generated. Airfree® can be used in homes and offices, quietly, constantly, and efficiently purifying the air.

3. How do I shut the Night Light off?

Touch multiple times the “bulb” icon until turn the lights OFF. You can also turn the lights OFF by using the remote control or the Airfree App.

4. The top lights are blinking. What does that mean?*

Indication that Airfree® is not correctly placed. Please make sure the device is on its vertical position

5. Should I turn off Airfree® when I leave house?

To achieve best efficiency, we recommend to keep Airfree® always on, no need to have the Fan ON. Turning the unit off will stop the sterilization process allowing the room contamination to grow.

6. Can I change Airfree® from one room to another?

Airfree® must always be plugged in the same room 24 hours a day. Airfree®'s patented technology works gradually so, when removing it to another room the contamination in the original room will start to increase.

7. Does CADR measure the effectiveness of the Airfree®?

Not at all. CADR is not designed to test the Airfree® technology. The AHAM seal (usually found on the back of an air cleaner's box) lists three Clean Air Delivery Rate (CADR) numbers: one for tobacco smoke, one for pollen and one for dust. The CADR indicates volume of filtered air delivered by an air cleaner. The reason why CADR is not designed for Airfree® is because Airfree® does not filter but destroys microorganisms instead, such reduction of bacteria, molds, viruses and other microorganisms can only be measured after air sample incubation in a microbiology lab. Airfree® destroys (not trap or attract to other surface) any microorganism regardless of how small they might be. 99.99% of all microorganisms are fully destroyed when passing through the Airfree® patented ceramic core.

8. What happens if Airfree® is disconnected or there was a black out?

Airfree® will take approximately the same time to recover the previous reduced contamination level.

9. Does Airfree® eliminate bacteria and viruses?

Yes. Unlike the air filters in the market Airfree® is more efficient with the smallest microorganisms as they are easily carried by Airfree®'s airflow into the sterilizing TSS™ ceramic core. Please check the independent bacteria and virus tests at our website.

10. How does Airfree® eliminate fungi and molds?

As mentioned before, Airfree® eliminates airborne microorganisms there included moulds, fungi and spores. By eliminating spores new mold colonies are unlikely to develop, representing less future airborne mold spores. Please check the independent mold tests at our website.

11. How does Airfree® destroy viruses?

Those microscopic microorganisms are easily eliminated inside Airfree®'s ceramic core capillaries. Contrary to other technologies the smallest the microorganisms the easiest they are destroyed inside the TSS™ ceramic core capillaries. Please check the independent virus test at our website.

12. Does Airfree® make any humidity level change in the room?

No.

13. Does Airfree® release any gas or chemical product?

No. Airfree®'s sterilization process is natural. Please check our website for conclusive tests regarding particles and ozone.

14. Does Airfree® heat up a room?

Airfree® does not make any noticeable increase in the room temperature. Just for comparison two Airfree® devices plugged in the same room will contribute as much heat as one 155 lb / 70 kg adult.

15. Does Airfree® need filter replacement?

No. The TSS™ technology designed for microorganisms doesn't require filter. The option carbon capsule can be used only when necessary, assuring huge life.

16. Where do the microorganisms go after they are destroyed?

All living microorganisms are basically composed by carbon, oxygen and nitrogen. Since Airfree® reaches nearly 400 °F / 200 °C, all the components decompose into carbone dioxide (the same product released by our respiration) and water. Some carbon (or microscopic ashes) may remain inside the device or over the top lid during the process. It should be noted that all happens in a microscopic level, so all those residues are a very small fraction of the microorganisms original microscopic size, in other words meaningless.

Warranty

The Commercial Guarantee Statement is sent to the customer along with the item and does not affect the customer's rights under locally applicable laws, nor their rights with regard to the distributor/seller of this product. This product is warranted by AIRFREE® PRODUCTS, to the original purchaser to be free from defects in material and workmanship under proper use for a period of three years from date of purchase. During this period, and upon presentation of sales receipt, this product will be repaired or replaced (lack of conformity of item) with same or similar model without charges for parts or labor at distributor address, when buying your Airfree device from an authorised dealer, they will have to ensure the legal guarantee of their product. To be eligible for the warranty, please keep your sales receipt. We advise you to register your device warranty at www.airfree.com. To obtain warranty service, please send the device with sales receipt or invoice to the distributor.

The territorial scope of this guarantee is defined by the customer's place of residence if purchased online, or the place where the purchase agreement was concluded if purchased in a physical store.

You may also ask for a proportional reduction of price or a termination of the contract if the conformity of the item cannot be restored, as provided for by law. These rights must be fulfilled within a reasonable time and are not affected by any commercial guarantees.

By exercising this guarantee, the customer, in addition to these rights, can also request the immediate replacement of the item or the termination of the contract if the lack of conformity becomes apparent within 30 days of delivery.

In the event of not being able to restore the conformity of the item, the consumer can choose between a proportional reduction in the price (proportional to the decrease in value of the good), or the termination of the contract through a declaration stating their decision (by letter or by email*) at the expense of the manufacturer/distributor.

This warranty does not apply to a product that has been misused, abused, or altered without limiting the afore mentioned, bending or dropping the unit, defects in the house electrical installation or fluctuating power levels that are considered to be defects resulting from misuse or abuse. The onus of proof of non-compliance in the first two years lies with the distributor/manufacturer, and thereafter on the consumer.

After the guarantee period, charges are incurred by the customer, the calculation of which is based on the following formula:

Travel Expenses + Repair Expenses (Materials and Labour) + Customs Costs (if applicable)

AIRFREE® PRODUCTS and its affiliates or wholesalers do not make any specific claim as to medicinal uses of this product nor does the manufacturer warrants that the equipment prevents diseases.

NEITHER THIS WARRANTY NOR ANY WARRANTY, EXPRESSED OR IMPLIED, INCLUDING IMPLIED WARRANTIES OR MERCHANTABILITY, SHALL EXTEND BEYOND THE WARRANTY PERIOD. NO RESPONSIBILITY IS ASSUMED FOR ANY INCIDENTAL OR CONSEQUENTIAL DAMAGES, SOME STATES DO NOT ALLOW LIMITATION ON HOW LONG AN IMPLIED WARRANTY LASTS; SOME STATES DO NOT ALLOW THE EXCLUSION OR LIMITATION OF INCIDENTAL OR CONSEQUENTIAL DAMAGES, SO THE ABOVE LIMITATIONS OR EXCLUSIONS MAY NOT APPLY TO YOU. AIRFREE® PRODUCTS HEREBY SPECIFICALLY DISCLAIMS ALL EXPRESSED WARRANTIES NOT OTHERWISE SET FORTH HEREIN AND ANY IMPLIED WARRANTIES OR MERCHANTABILITY OR IMPLIED WARRANTIES FOR FITNESS FOR A PARTICULAR PURPOSE. THERE ARE NO WARRANTIES WHICH EXTEND BEYOND THE DESCRIPTION OF THE FACE HEREOF. This warranty gives you specific legal rights; you may have other rights, which vary from state to state, and country to country.

*AIRFREE® PRODUCTS, Julieta Ferrão 10, 9th Floor, 1600 -131 Lisbon, Portugal
 Phone 351 - 213 156 222
 Fax 351 - 213 516 228
 Web www.airfree.com
 Email info@airfree.com

IMPORTANTES INSTRUCCIONES DE SEGURIDAD

Al instalar y usar este equipo eléctrico, siempre se deben seguir las precauciones básicas de seguridad, incluyendo las siguientes:

LEA Y SIGA TODAS LAS INSTRUCCIONES.



Airfree® no está destinado para su uso por personas con discapacidad física reducida, sensorial o mental, o con falta de experiencia o conocimiento. Los niños deberían ser supervisados para asegurarse de que no jueguen con el aparato.



No coloque su Airfree® en contacto directo con agua o líquidos, ya que puede provocar un riesgo de descarga eléctrica perjudicial que puede dañar a la propia unidad.



No obstruya las salidas de aire de Airfree® con objetos como toallas, prendas de vestir o cortinas, ya que aumentará la temperatura en el interior del núcleo de cerámica, y hará que el dispositivo se apague. Si dicho estado persiste, un sistema general de corte interrumpirá la fuente de alimentación, lo que requerirá la sustitución de la placa de circuito por un distribuidor autorizado. Este incidente no está cubierto por la garantía de Airfree®.



No intente abrir Airfree® ni tocar sus componentes internos. No introduzca ningún objeto, ya que puede causar una descarga eléctrica. Cualquier intento de abrir o alterar Airfree® anulará la garantía.



Para limpiar Airfree®, desenchufelo de la toma eléctrica y utilice un paño seco para limpiar su superficie. No intente abrir Airfree® para limpiar el interior, no es necesario.



Siempre mantenga Airfree® en su posición vertical tal como se muestra en la imagen, de lo contrario la unidad se apagará hasta que vuelva a su posición vertical.



Si el cable de alimentación está dañado, debe ser sustituido por el fabricante, por el servicio de reparaciones autorizado o por una persona debidamente cualificada o cualquier taller autorizado de servicio de garantía para así evitar riesgos. Al devolver su Airfree® para su reparación, por favor asegúrese de que esté bien protegido, preferentemente dentro de su caja original, para evitar daños adicionales.



Airfree® no debe colocarse cerca de productos inflamables y tóxicos.

(*) Por favor, lea atentamente las “Características Técnicas” para comprobar qué modelos incorporan las características de luz nocturna o luz nocturna multicolor.

GUARDA ESTAS INSTRUCCIONES

Instalación y Conexión



Conecte el cable de alimentación a la toma de electricidad más cercana. Asegúrese de que la superficie adónde va a colocar el Airfree® se ha plana y sin agua. (En ningún momento coloque el Airfree® en superficies mojadas ni lo submerja en agua). Asegúrese de que el On/Off led esté encendido. Haga el ajuste de la intensidad de la luz nocturna con el sensor táctil. Pasados 30 minutos, la tapa superior se debe calentar un poco.”



Coloque Airfree® sobre una superficie plana, no debajo de los muebles, estantes ni detrás de cortinas, ya que interferirá con el flujo de aire y con la eficacia de Airfree® en la reducción y destrucción de microorganismos.



Compruebe si el área es compatible con la capacidad de la unidad para lograr el mejor rendimiento de la unidad. Si usa Airfree® en habitaciones de tamaño superior a su capacidad, se reducirá en gran medida su capacidad de depuración.



Airfree® debe estar continuamente en la misma habitación, 24 horas al día. Su retirada temporal de la habitación permitirá crecer a nueva contaminación de microorganismos. Sin embargo, se destruirá cuando Airfree® esté enchufado de nuevo. Cuanto más largo sea el período sin Airfree®, mayor será la nueva contaminación en la habitación.



Las habitaciones con aire acondicionado o ventilación no afectarán a la eficacia de la esterilización del aire de su Airfree®. Lo mismo aplica para los sistemas de calefacción.



Airfree® puede colocarse en los pasillos, pero los efectos de esterilización de aire casi no tendrán ningún efecto en habitaciones contiguas.



Evite colocar la unidad cerca de puertas o ventanas abiertas para evitar que una parte del aire esterilizado salga de la habitación.

INSTRUCCIONES PARA CABLE ALIMENTACIÓN CORTO

- Se proporciona un cable de alimentación corto para reducir el riesgo de enredos o tropezos con un cable largo.

- Pueden utilizarse alargadores siempre que se haga con precaución.

- Si se utiliza un alargador, la potencia nominal del alargador deberá ser, como mínimo, igual que la del dispositivo, y el cable más largo deberá disponerse de manera que no cuelgue sobre la encimera o la mesa, donde los niños pueden tirar de él o pueda ocasionar tropezos.



INSTRUCCIONES DE POLARIZACIÓN

Este dispositivo cuenta con una clavija polarizada (un terminal es más ancho que el otro). Para reducir el riesgo de descarga eléctrica, esta clavija encaja en un enchufe polarizado; pruebe a invertir la clavija. Si sigue sin encajar, póngase en contacto con un electricista cualificado. No modifique el enchufe de ninguna manera.



Para encender y apagar el ventilador, mantenga pulsado el botón táctil del sensor durante 6 segundos. Pulse el mismo botón táctil del sensor varias veces para obtener el brillo de luz deseado o para apagarlo completamente.









Para una esterilización más rápida del aire, seleccione el modo de refuerzo. Esta función encenderá el ventilador en 3 opciones de velocidad diferentes para aumentar el flujo de aire, normalmente durante 1/2 hora o 1 hora.

App

Conexión a la App Airfree

1. Descargue la App Airfree en su smartphone (disponible para IOS y Android) o usa tuya App si ya la tienes. Disponible en App Store y Google Store.
2. Asegúrese de encender el bluetooth y el wi-fi.
3. Cree una nueva cuenta siguiendo las instrucciones en pantalla.
4. Presione al mismo tiempo los sensores táctiles de la lámpara y del ventilador, para comenzar a emparejar: el icono del ventilador mostrará una luz intermitente rosa.
5. Agregue el dispositivo.
6. Una vez detectado, agregue el Airfree ELITE a la lista de dispositivos de la aplicación.

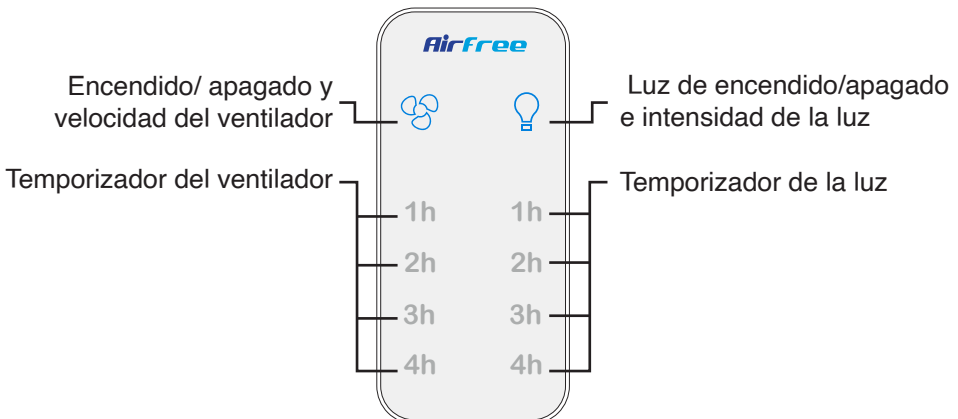
Funcionamiento de la App:

-  Presione para seleccionar la intensidad de la luz
-  Presione para seleccionar el temporizador de luz.
-  Presione para seleccionar la velocidad del ventilador.*
-  Presione para seleccionar el temporizador del ventilador.
-  Presione para verificar el uso del filtro.
-  Presione para restablecer la vida útil del filtro después de reemplazarlo.

* Modo automático en Elite II para activar las cápsulas cuando sea necesario.

Elite II dispone de sensores de contaminantes y controla la calidad del aire interior (TVOC y PM 2,5)

Control remoto



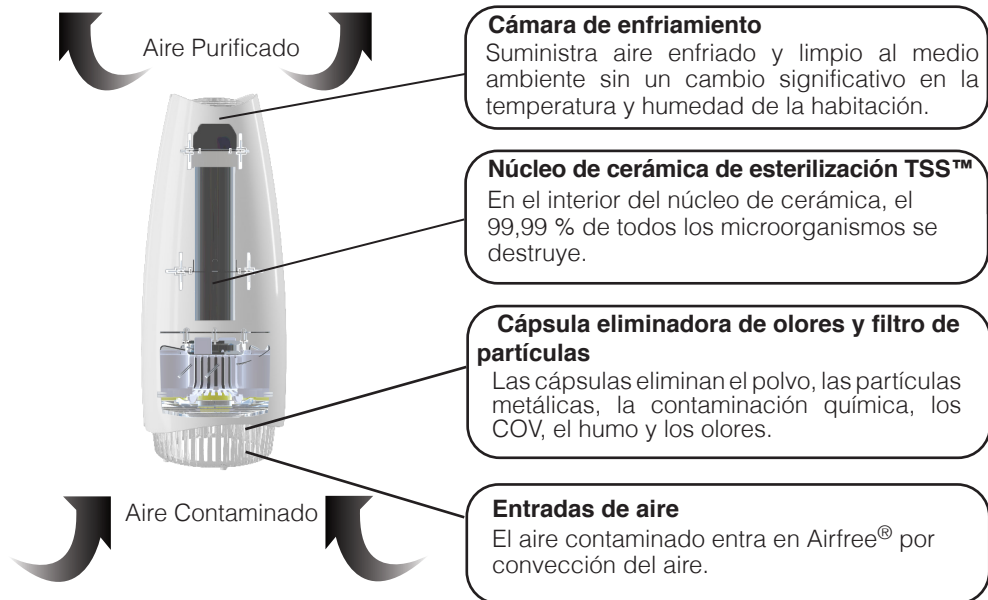
El control remoto infrarrojo solo funcionará si apunta a la tapa inferior de Airfree ELITE

Características Técnicas



Modelo	ELITE
Capacidad	70 m ²
Consumo Eléctrico	62 W
Voltaje	220 - 240 V
Ruido	Totalmente silencioso con TSS™, menos de 20 db, cuando el ventilador está encendido.
Peso	3,75 lb/1,7 kg
Dimensiones	Altura: 17.7 in / 45cm Ø: 7.3 in / 18,5 cm
Colores	Blanco
Luz Nocturna	Azul

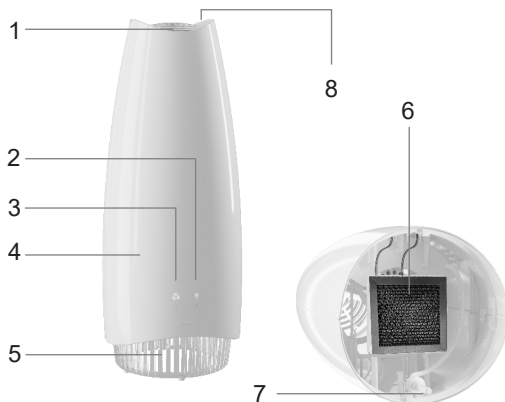
¿Cómo Funciona Airfree®?



Independientemente de lo peligroso que sea un virus, hongo o bacteria, este se destruye completamente por el potente calor dentro de los miniconductos del núcleo de cerámica de TSS™. El calor dentro del núcleo de cerámica fuerza y conduce el aire esterilizado hacia el intercambiador de calor, lo que causa una convección de aire y genera una presión negativa por debajo del núcleo de cerámica, por lo que el aire contaminado se “aspira” dentro de las entradas de aire inferiores de Airfree® en un flujo de aire continuo, silencioso y eficiente.

Descripción de Airfree®

1- Salida de aire esterilizado - la luz superior
2- Sensor táctil de intensidad de luz
3- Ventilador (4 velocidades)
4- Side shells
5- Entrada de aire inferior
6- Entrada de aire contaminado
7 - Cable de alimentación
8 - Número de serie



El luz nocturna superior no interfiere con el proceso de esterilización de aire de TSS™ de su Airfree®.

1. ¿Cómo sé si Airfree® ya no está funcionando?

Compruebe la tapa superior; si está fría, el sistema de esterilización no está funcionando. Por favor, conéctelo a otra toma de corriente y asegúrese de que la unidad está en su posición vertical durante al menos 1 minuto.

2. ¿Hay algunos efectos secundarios ?

No. La nueva tecnología de Airfree® utiliza calor para purificar el aire con un aporte de calor insignificante a la habitación. No hay efectos secundarios, no hay emisiones, no hay iones ni se generan nuevas partículas. Airfree® puede utilizarse en hogares y oficinas para purificar el aire en silencio de manera constante y eficiente.

3. ¿Cómo apago el luz nocturna?

Toca varias veces el icono de la “bombilla” hasta apagar las luces. También puedes apagar las luces con el control remoto o la App Airfree.

4. Las luces superiores están parpadeando. ¿Qué significa eso?*

En los modelos con luces superiores, indica que Airfree® no está colocado correctamente. Por favor, asegúrese de que el dispositivo está en su posición vertical.

5. ¿Debo apagar Airfree® cuando salga de casa?

Para lograr el mejor rendimiento, se recomienda mantener Airfree® siempre encendido. Si apaga la unidad, se detendrá el proceso de esterilización, lo que permitirá que la contaminación de la habitación crezca.

6. ¿Puedo colocar Airfree® en el pasillo para que llegue a las habitaciones adyacentes?

No. Airfree® solo reducirá la contaminación del aire en el área del pasillo.

7. ¿El CADR mide la efectividad de Airfree®?

Para nada. El CADR no está diseñado para probar la tecnología de Airfree®. El sello AHAM (normalmente se encuentra en la parte posterior de la caja del purificador de aire) enumera tres números de la Tasa de Suministro de Aire Limpio (CADR): uno para el humo de tabaco, uno para el polen y uno para el polvo. El CADR indica el volumen de aire filtrado suministrado por un purificador de aire. La razón por la que CADR no está diseñado para Airfree® es porque Airfree® no filtra, sino que destruye los microorganismos en su lugar; tal reducción de bacterias, moho, virus y otros microorganismos solo puede medirse después de una incubación de una muestra de aire en un laboratorio de microbiología. Airfree® destruye (no atrapa ni atrae a otra superficie) cualquier microorganismo independientemente de lo pequeño que sea. El 99,99 % de todos los microorganismos se destruye completamente al pasar a través del núcleo de cerámica patentado de Airfree®.

El modo de refuerzo se utiliza momentáneamente, normalmente durante media hora, si se produce alguna contaminación inesperada en la habitación. Después de ese período, el nivel de purificación de la habitación es el mismo, con o sin el ventilador encendido, lo que significa que no se requiere ningún ventilador para mantener silenciosamente la habitación a un nivel de reducción del 80 al 90%.

8. ¿Qué pasa si Airfree® se desconecta o hay un apagón?

Airfree® tomará aproximadamente el mismo tiempo para recuperar el nivel de contaminación reducida anterior.

9. ¿Airfree® elimina las bacterias y los virus?

Sí. A diferencia de los filtros de aire en el mercado, Airfree® es más eficiente con los microorganismos más pequeños, ya que se transportan fácilmente por el flujo de aire de Airfree® hacia el núcleo de cerámica del TSS™. Por favor, compruebe las pruebas de bacterias y virus independientes en nuestro sitio web.

10. ¿Cómo destruye Airfree® los ácaros del polvo?

La reducción de moho en el ambiente causa una reducción en la población de ácaros del polvo que dependen del moho. Airfree® también destruye las toxinas dañinas y los hongos liberados en el aire por las heces y los esqueletos de ácaros del polvo que desencadenan las alergias respiratorias y el asma.

11. ¿Cómo elimina Airfree® los hongos y el moho?

Como se ha señalado antes, Airfree® elimina los microorganismos transportados por el aire, incluido el moho, los hongos y las esporas. Con la eliminación de las esporas, es poco probable que surjan nuevas colonias de moho, lo que se traduce en menos futuras esporas de moho en el aire. Por favor, compruebe las pruebas de moho independientes en nuestro sitio web.

12. ¿Airfree® cambia el nivel de humedad en la habitación?

No.

13. ¿Airfree® libera cualquier gas o producto químico?

No. El proceso de esterilización de Airfree® es natural. Por favor, visite nuestro sitio web para pruebas concluyentes con respecto a las partículas y al ozono.

14. ¿Puede Airfree® calentar una habitación?

Airfree® no produce ningún aumento notable en la temperatura de la habitación. Para hacer una comparación, dos dispositivos de Airfree® enchufados en la misma habitación contribuirán en el calor tanto como un adulto de 155 lb / 70 kg.

15. ¿Airfree® necesita sustitución de filtros?

No. La tecnología TSS diseñada para microorganismos no requiere filtro. La cápsula de carbón opcional se puede utilizar sólo cuando sea necesario, asegurando una gran vida útil.

16. ¿A dónde van los microorganismos después de ser destruidos?

Todos los microorganismos vivos están básicamente compuestos de carbono, oxígeno y nitrógeno. Dado que Airfree® alcanza casi los 400 °F / 200 °C, todos los componentes se descomponen en dióxido de carbono (el mismo producto que liberamos al respirar) y agua. Puede que quede algo de carbono (o cenizas microscópicas) en el interior del dispositivo o sobre la tapa superior durante el proceso. Cabe señalar que todo sucede a nivel microscópico, por lo que todos esos residuos suponen una fracción muy pequeña del tamaño microscópico original de los microorganismos, en otras palabras, es insignificante.

El documento de garantía comercial se le envía al cliente junto con el artículo y no afecta a los derechos del cliente establecidos por las leyes aplicables, ni a sus derechos con respecto al distribuidor/vendedor de este producto. AIRFREE® PRODUCTS garantiza este producto, al comprador original, contra defectos de material y mano de obra, con un uso adecuado, durante un período de tres años a partir de la fecha de compra. Durante este período, previa presentación del ticket de venta, este producto se reparará o sustituirá (falta de conformidad del artículo) por un modelo igual o similar sin ningún cargo por piezas o mano de obra, en la dirección del distribuidor. Al comprar su dispositivo Airfree a un distribuidor autorizado, este deberá asegurar la garantía legal de su producto. Conserve su ticket de compra para ser elegible para la garantía. Le recomendamos que registre la garantía de su dispositivo en www.airfree.com. Si quiere obtener un servicio como parte de la garantía, envíe el dispositivo con la factura o el ticket de venta al distribuidor.

El alcance territorial de esta garantía está definido por el lugar de residencia del cliente, si la compra se realiza en línea, o el lugar en el que se firmó el contrato de compra, si la compra se realiza en una tienda física.

También puede solicitar una reducción proporcional del precio o la rescisión del contrato si no se puede restablecer la conformidad del artículo, según lo dispuesto por la ley. Estos derechos deben cumplirse en un tiempo razonable y no se ven afectados por ninguna garantía comercial.

Al ejercer esta garantía, además de estos derechos, el cliente también puede solicitar la sustitución inmediata del artículo o la rescisión del contrato si la falta de conformidad se manifiesta en un plazo de 30 días desde la entrega.

En el caso de que no se pudiera restablecer la conformidad del artículo, el consumidor podría elegir entre una reducción proporcional del precio (proporcional a la disminución del valor del bien), o la resolución del contrato mediante una declaración en la que conste su decisión (por correo postal o electrónico*) a cargo del fabricante/distribuidor.

Esta garantía no es aplicable a productos que hayan sido objeto de un uso inadecuado, abuso o alteración sin limitar lo anteriormente mencionado, doblez o caída de la unidad, defectos en la instalación eléctrica de la casa o niveles de energía fluctuantes que se consideren defectos resultantes de un uso inadecuado o un abuso. La responsabilidad de la prueba del incumplimiento en los dos primeros años recae en el distribuidor/fabricante y, posteriormente, en el consumidor.

Después del período de garantía, el cliente incurrirá en cargos, que se calcularán utilizando esta fórmula:

Gastos de viaje + Gastos de reparación (materiales y mano de obra) + Costes de aduana (en su caso)

NI ESTA GARANTÍA NI NINGUNA OTRA GARANTÍA, EXPRESA O IMPLÍCITA, INCLUIDAS LAS GARANTÍAS O COMERCIALIZACIÓN IMPLÍCITAS SE EXTENDERÁN MÁS ALLÁ DEL PERÍODO DE GARANTÍA. NO SE ASUME RESPONSABILIDAD ALGUNA DE CUALQUIER DAÑOS INCIDENTALES O DERIVADOS, ALGUNOS ESTADOS NO ACEPTAN LAS LIMITACIONES DE DURACIÓN DE LAS GARANTÍAS IMPLÍCITAS; ALGUNOS ESTADOS NO ACEPTAN LA EXCLUSIÓN O LIMITACIÓN DE DAÑOS INCIDENTALES O DERIVADOS, DE MODO QUE LAS MENCIONADAS LIMITACIONES O EXCLUSIONES PODRÍAN NO APLICARSE. POR LA PRESENTE AIRFREE® PRODUCTS ESPECÍFICAMENTE RENUNCIA A TODAS LAS GARANTÍAS EXPRESAS NO INDICADAS DE OTRO MODO EN ESTE DOCUMENTO, ASÍ COMO CUALQUIER GARANTÍA O COMERCIALIZACIÓN IMPLÍCITA O GARANTÍAS IMPLÍCITAS DE ADECUACIÓN PARA UN FIN PARTICULAR. NO EXISTEN GARANTÍAS QUE SE EXTIENDAN MÁS ALLÁ DE LA DESCRIPCIÓN DETALLADA EN EL ANVERSO DEL PRESENTE DOCUMENTO. Esta garantía le otorga derechos legales específicos, a los que pueden sumarse otros derechos legales que varían entre los distintos estados y países.

*AIRFREE® PRODUCTS, Julieta Ferrão 10, 9th Floor, 1600 -131 Lisbon, Portugal

Teléfono: 351 - 213 156 222

Fax: 351 - 213 516 228

Web: www.airfree.com

Correo electrónico: info@airfree.com

IMPORTANT CONSIGNES DE SÉCURITÉ

En installant et en utilisant cet équipement électrique, doit toujours suivre les consignes de sécurité de base, y compris les éléments suivants:

LIRE ET SUIVRE TOUTES LES CONSIGNES.



L'Airfree® n'est pas destiné à être utilisé par des personnes dont les capacités physiques, sensorielles ou mentales sont réduites, ou qui manquent d'expérience ou de connaissances. Les enfants doivent être surveillés pour s'assurer qu'ils ne jouent pas avec l'appareil.



Ne placez pas votre Airfree® en contact direct avec de l'eau ou des liquides, car cela peut causer un choc électrique dangereux pour vous et votre famille, et endommager l'appareil lui-même.



N'obstruez pas les sorties d'air de l'Airfree® avec des objets comme des serviettes, des vêtements ou des rideaux, car cela augmentera la chaleur à l'intérieur du cœur en céramique, ce qui éteindra l'appareil. Si cette condition persiste, un système de coupure générale arrêtera l'alimentation et le circuit imprimé devra être remplacé par un revendeur agréé. Cet incident n'est pas couvert par la garantie Airfree®.



N'essayez pas d'ouvrir l'Airfree® ou de toucher ses composants internes. N'insérez pas d'objets car cela pourrait causer un choc électrique. Toute tentative d'ouvrir ou de modifier l'Airfree® annulera la garantie.



Pour nettoyer l'Airfree®, débranchez-le de la prise électrique et utilisez un chiffon sec pour essuyer sa surface. Ne tentez pas d'ouvrir l'Airfree® pour le nettoyer à l'intérieur, ce qui n'est pas nécessaire.



Gardez toujours l'Airfree® en position verticale, comme indiqué sur l'image. Sinon, l'appareil s'arrêtera jusqu'à ce qu'il soit remis en position verticale.



Si le cordon d'alimentation est endommagé, il doit être remplacé par le fabricant, son agent de service ou des personnes également qualifiés, ou tout autre magasin de réparation autorisé pour éviter les situations de danger potentielles. Lorsque vous renvoyez votre Airfree® pour qu'il soit réparé, assurez-vous qu'il est bien protégé et de préférence dans sa boîte d'origine, pour éviter des dommages supplémentaires.



L'Airfree® ne doit pas être placé à proximité de produits inflammables et toxiques.

(*) Lisez attentivement les "Caractéristiques techniques" afin de vérifier quels modèles possèdent les caractéristiques veilleuses ou veilleuses multicolore.

CONSERVEZ CES CONSIGNES

Installation et Branchement



Brancher le cordon d'alimentation dans la prise de courant la plus proche. S'assurer que la surface est plate et sèche (ne jamais placer Airfree® sur un sol humide et ne l'immerger dans l'eau). Bien s'assurer que le Led On/Off soit activé. Sur les modèles qui ont les Lumières de nuit ou de couleurs multiples, vous pouvez choisir la meilleure intensité lumineuse en appuyant sur le capteur de dessus. Après 30 minutes, le couvercle de dessus doit être chaud.*



Placez l'Airfree® sur une surface plane, pas sous des meubles, des étagères, ou derrière des rideaux car cela va perturber le flux d'air et l'efficacité de l'Airfree® en termes de réduction et de destruction des micro-organismes.



Vérifiez que la zone est compatible avec la capacité de l'appareil, pour obtenir les meilleures performances possibles. Utiliser l'Airfree® dans des pièces plus grandes que sa capacité réduira considérablement sa capacité de purification.



L'Airfree® doit être en marche en permanence dans la même pièce, 24 heures sur 24. Néanmoins, le retrait temporaire de la pièce permettra une nouvelle contamination des micro-organismes, mais elle sera détruite lorsque l'Airfree® sera rebranché. Plus la période sans Airfree® est longue, plus la nouvelle contamination dans la pièce sera importante.



La climatisation ou la ventilation dans les pièces n'affectera pas l'efficacité de stérilisation de l'air de votre Airfree®. Il en va de même pour les systèmes de chauffage.



L'Airfree® peut être placé dans des couloirs, mais l'efficacité de la stérilisation de l'air sera très réduite dans les pièces communicantes.



Évitez de placer l'appareil près de portes ou de fenêtres ouvertes pour empêcher une partie de l'air stérilisé de quitter la pièce.

INSTRUCTIONS RELATIVES AU CORDON D'ALIMENTATION COURT

- Un cordon électrique court est fourni pour réduire les risques d'enchevêtrement ou de trébuchement associés à un cordon plus long.

- Des rallonges sont disponibles et peuvent être utilisées avec prudence.

- Si une rallonge est utilisée, les caractéristiques électriques du câble ou de la rallonge doit être au moins équivalentes à celles de l'appareil, et le long cordon doit être placé de manière à ne pas pendre d'un comptoir ou d'une table où il peut être tiré par des enfants ou faire trébucher accidentellement.



INSTRUCTIONS DE POLARISATION

Cet appareil possède une fiche polarisée (une lame est plus large que l'autre).

Pour réduire le risque d'électrocution, cette fiche étant conçue pour s'insérer dans une prise polarisée, retournez-la. Si elle ne s'enfonce toujours pas, contactez un électricien qualifié. Ne modifiez la fiche d'aucune façon.



Pour mettre le ventilateur en marche ou l'arrêter, appuyez sur le bouton tactile du capteur et maintenez-le enfoncé pendant 6 secondes. Appuyez plusieurs fois sur le même bouton tactile pour obtenir la luminosité souhaitée ou pour l'éteindre complètement.



Pour une stérilisation plus rapide de l'air, sélectionnez le mode Boost. Cette fonction démarre le ventilateur à 3 vitesses différentes pour augmenter le flux d'air, généralement pendant 1/2 heure ou 1 heure.

App

Installation de l'App Airfree

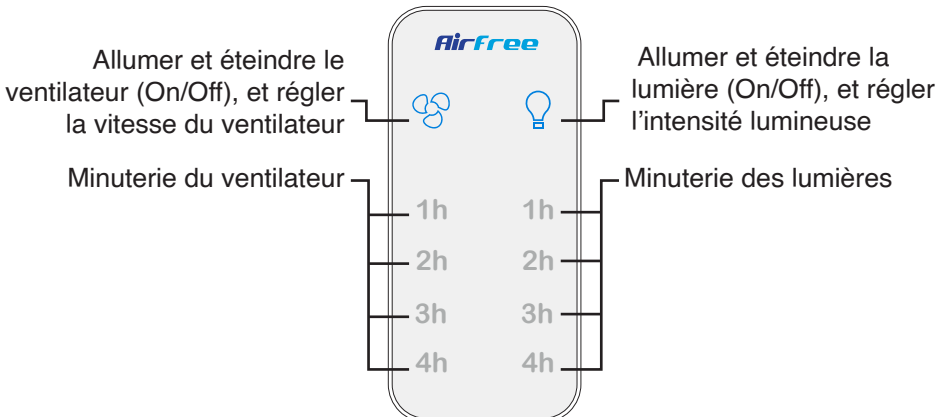
1. Téléchargez l' App Airfree sur votre smartphone (disponible pour IOS et Android), ou utilisez l'App Tuya si vous l'avez déjà.
2. Assurez-vous d'activer le bluetooth et le wi-fi.
3. Créez un nouveau compte en suivant les instructions à l'écran.
4. Appuyez simultanément sur les capteurs tactiles de la lampe et du ventilateur pour commencer l'appariement - l'icône du ventilateur affichera une lumière clignotante rose.
5. Ajoutez l'appareil.
6. Une fois détecté, ajoutez l' Airfree ELITE à la liste des appareils.

Fonctionnement de l'application:

- Appuyez pour sélectionner l'intensité lumineuse.
- Appuyez pour sélectionner la minuterie de lumière.
- Appuyez pour sélectionner la vitesse du ventilateur.*
- Appuyez pour sélectionner la minuterie du ventilateur.
- Appuyez pour vérifier l'utilisation du filtre.
- Appuyez sur pour réinitialiser la durée de vie du filtre après l'avoir remplacé.

* Mode automatique sur Elite II pour activer les capsules lorsque cela est nécessaire.
Elite II possède des capteurs de polluants et surveille la qualité de l'air intérieur (TVOC et PM 2.5)

Télécommande



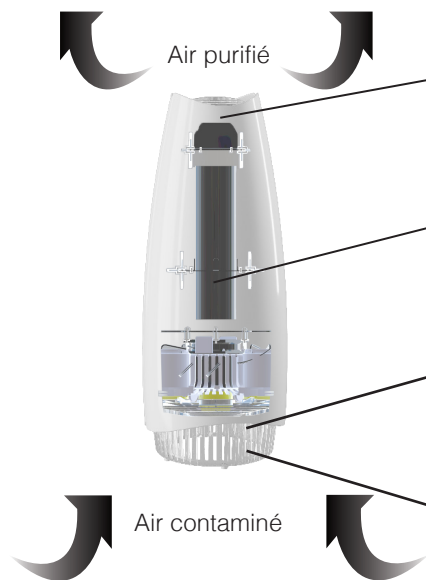
La télécommande ne fonctionnera que si elle est pointée vers le couvercle inférieur d'Airfree ELITE

Caractéristiques Techniques



Modèle	ELITE
Capacité	750 sq. ft.
Consommation Électrique	62 W
Tension	120 V
Bruit	Entièrement silencieux avec le TSS™, moins de 20 db, Lorsque le ventilateur est en marche.
Poids	3,75 lb/1,7 kg
Dimensions	Hauteur: 17.7 in / 45cm Ø: 7.3 in / 18,5 cm
Couleur	Blanc
Veilleuse	Bleu

Comment Airfree® fonctionne-t-il ?



Chambre de refroidissement

L'air refroidi et pur est distribué dans l'environnement sans modification notable de la température et de l'humidité de la pièce.

Noyau de stérilisation en céramique TSS™

À l'intérieur du noyau en céramique, 99,99% de tous les micro-organismes sont détruits.

Capsule éliminatrice d'odeurs et de son filtre à particules.

Les capsules éliminent la poussière, les particules métalliques, la pollution chimique, les COV, la fumée et odeurs.

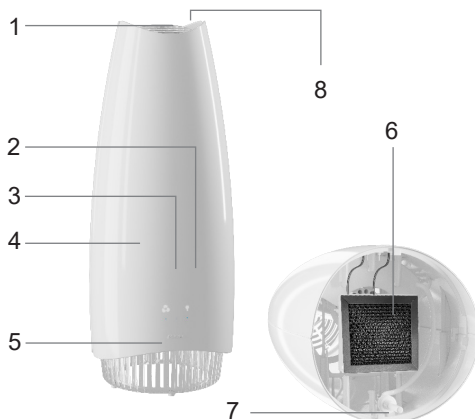
Entrées d'air

L'air contaminé entre dans l'Airfree® par convection de l'air.

Peu importe le degré de dangerosité des virus, champignons ou bactéries, ils sont entièrement détruits par la chaleur puissante à l'intérieur des mini-conduits du noyau en céramique TSS™. La chaleur à l'intérieur du noyau en céramique envoie l'air stérilisé dans l'échangeur de chaleur, provoquant la convection de l'air, ce qui génère une pression négative sous le noyau en céramique et l'air contaminé est donc "aspiré" par les entrées d'air inférieures de l'Airfree® par une circulation d'air continue, efficace et silencieuse.

Description de l'Airfree®

1- Sortie d'air stérilisée - Lumière supérieure
2- Capteur tactile d'intensité de la lumière
3- Ventilateur (4 vitesses)
4- Coques latérales
5- Entrée d'air contaminée
6- Contaminated air inlet
7 - Cordon d'alimentation
8 - Numéro de série



La veilleuse supérieure ne perturbe pas le processus de stérilisation de l'air TSS™ de votre Airfree®.

1. Comment puis-je savoir si l'Airfree® ne fonctionne plus ?

Vérifiez le couvercle supérieur ; s'il est froid, le système de stérilisation ne fonctionne pas. Branchez-le sur une autre prise et assurez-vous que l'appareil est en position verticale pendant au moins 1 minute.

2. Y a-t-il des effets secondaires ?

Non. La nouvelle technologie Airfree utilise la chaleur pour purifier l'air sans apport de chaleur notable dans la pièce. Aucun effet secondaire, aucune émission, AUCUN ION, ni aucune nouvelle particule n'est générée. L'Airfree® peut être utilisé dans les maisons et les bureaux, pour purifier l'air silencieusement, continuellement et efficacement.

3. Comment puis-je éteindre la veilleuse ?

Appuyez plusieurs fois sur l'icône "lampe" jusqu'à ce que les lumières s'éteignent. Il en va de même pour la télécommande ou l'App Airfree.

4. Les voyants du dessus clignotent. Qu'est-ce que cela signifie ?*

Sur les modèles avec des voyants sur le dessus, cela indique que l'Airfree® n'est pas placé correctement. Assurez-vous que l'appareil est en position verticale.

5. Dois-je éteindre l'Airfree® lorsque je sors de chez moi ?

Pour obtenir les meilleures performances, nous vous recommandons de toujours garder l'Airfree® allumé. La désactivation de l'appareil arrêtera le processus de stérilisation, permettant à la contamination ambiante de croître.

6. Puis-je faire passer l'Airfree® d'une pièce à une autre ?

L'Airfree® doit toujours être branché dans la même pièce 24 heures sur 24. La technologie brevetée de l'Airfree® fonctionne progressivement ; ainsi, lorsque vous le faites passer dans une autre pièce, la contamination dans la pièce d'origine va commencer à augmenter.

7. Le CADR (débit d'air purifié) mesure-t-il l'efficacité de l'Airfree® ?

Pas du tout. Le CADR n'est pas conçu pour tester la technologie Airfree®. Le sceau de l'AHAM (qui se trouve habituellement sur l'arrière de la boîte à filtre à air) répertorie trois numéros du Clean Air Delivery Rate (CADR) : un pour la fumée de tabac, un pour le pollen et un pour la poussière. Le CADR indique le volume d'air filtré, envoyé par un filtre à air. La raison pour laquelle le CADR n'est pas conçu pour l'Airfree® est que l'Airfree® ne filtre pas, mais détruit les micro-organismes, et une telle réduction des bactéries, des moisissures, des virus et d'autres micro-organismes ne peut être mesurée que par l'incubation d'un échantillon d'air dans un laboratoire de microbiologie. L'Airfree® détruit (ne piège pas ou n'attire pas sur d'autres surfaces) les micro-organismes, aussi petits qu'ils puissent être. 99,99 % de tous les micro-organismes sont entièrement détruits lors du passage dans le noyau en céramique breveté Airfree®.

Le mode booster doit être utilisé momentanément, généralement pendant une demi-heure, en cas de contamination inattendue de la pièce. Après cette période, le niveau de purification de la pièce est le même, avec ou sans ventilateur en marche, ce qui signifie qu'aucun ventilateur n'est nécessaire pour maintenir silencieusement la pièce à un niveau de réduction de 80 à 90 %.

8. Que se passe-t-il si l'Airfree® est débranché ou s'il y a une panne de courant ?

L'Airfree® prendra à peu près le même temps pour revenir au niveau précédent de réduction de la contamination.

9. L'Airfree® élimine-t-il les bactéries et les virus ?

Oui. À la différence des filtres à air sur le marché, l'Airfree® est plus efficace avec les plus petits micro-organismes car ils ont plus facilement transportés par la circulation d'air de l'Airfree® dans le noyau en céramique stérilisant TSS™. Veuillez consulter les essais indépendants relatifs aux bactéries et aux virus sur notre site internet.

10. Comment l’Airfree® détruit-il les acariens ?

La réduction de la moisissure dans l’environnement entraîne la réduction de la population des acariens qui dépend de la moisissure. L’Airfree® détruit également les toxines nocives et les champignons libérés dans l’air par les excréments et les squelettes d’acariens qui déclenchent des allergies respiratoires et de l’asthme.

11. Comment l’Airfree® élimine-t-il les champignons et les moisissures ?

Comme mentionné précédemment, l’Airfree® élimine les micro-organismes en suspension dans l’air tels que les moisissures, les champignons et les spores. En éliminant les spores, les nouvelles colonies de moisissure sont peu susceptibles de se développer, ce qui représente moins de futures moisissures en suspension dans l’air. Veuillez consulter les essais indépendants relatifs à la moisissure sur notre site internet.

12. L’Airfree® modifie-t-il le niveau d’humidité dans la pièce ?

Non.

13. L’Airfree® libère-t-il des gaz ou des produits chimiques ?

Non. Le procédé de stérilisation Airfree® est naturel. Veuillez visiter notre site internet pour consulter les essais concluants concernant les particules et l’ozone.

14. L’Airfree® réchauffe-t-il une pièce ?

L’Airfree® ne génère aucune augmentation notable de la température de la pièce. À des fins de comparaison, deux appareils Airfree® branchés dans la même pièce produiront autant de chaleur qu’un adulte de 155 lb / 70 kg.

15. Les filtres de l’Airfree® doivent-ils être changés ?

Non. La technologie TSS conçue pour les micro-organismes ne nécessite pas de filtre. L’option capsule de carbone ne peut être utilisée que lorsque cela est nécessaire, assurant ainsi une longue durée de vie.

16. Où vont les micro-organismes après leur destruction ?

Tous les micro-organismes vivants sont essentiellement composés de carbone, d’oxygène et d’azote. Puisque l’Airfree® atteint près de 400°F / 200°C, tous les composants se décomposent en dioxyde de carbone (le même produit libéré par notre respiration) et en eau. Certains carbones (ou cendres microscopiques) peuvent rester à l’intérieur de l’appareil ou sur le couvercle pendant le processus. Il convient de noter que tout se passe à une échelle microscopique, donc tous ces résidus sont une très petite fraction de la taille microscopique originale des micro-organismes, c’est-à-dire insignifiants.

Garantie

La déclaration de garantie commerciale est envoyée au client conjointement à l'article, et n'affecte pas les droits du client en vertu des lois applicables localement, ni ses droits à l'égard du distributeur/vendeur dudit produit. Ce produit est garanti par AIRFREE® PRODUCTS, à l'acheteur d'origine, comme étant exempt de défauts de matériaux et de fabrication dans le cadre d'une utilisation appropriée, pour une période de trois ans à compter de la date d'achat. Pendant cette période, et sur présentation du ticket de caisse, ce produit sera réparé ou remplacé (défaut de conformité de l'article) par le même modèle ou un modèle similaire sans frais de pièces ou de main d'œuvre à l'adresse du distributeur, lorsque vous achetez votre appareil Airfree auprès d'un revendeur agréé, ce dernier devra assurer la garantie légale de son produit. Pour bénéficier de la garantie, veuillez conserver votre ticket de caisse. Nous vous conseillons d'enregistrer la garantie de votre appareil sur www.airfree.com. Pour obtenir un service de garantie, veuillez envoyer l'appareil avec le reçu de vente ou la facture au distributeur.

La portée territoriale de cette garantie est définie par le lieu de résidence du client en cas d'achat en ligne, ou par le lieu où le contrat d'achat a été conclu en cas d'achat dans un magasin physique.

Vous pouvez également demander une réduction proportionnelle du prix ou la résiliation du contrat si la conformité de l'article ne peut être rétablie, comme le prévoit la loi. Ces droits doivent être exercés dans un délai raisonnable et ne sont pas affectés par d'éventuelles garanties commerciales.

En exerçant cette garantie, le client, en plus de ces droits, peut également demander le remplacement immédiat de l'article ou la résiliation du contrat si le défaut de conformité se manifeste dans les 30 jours suivant la livraison.

En cas d'impossibilité de rétablir la conformité de l'article, le consommateur peut choisir entre une réduction proportionnelle du prix (proportionnelle à la diminution de la valeur de l'article), ou la résiliation du contrat par une déclaration précisant sa décision (par lettre ou par email*) aux frais du fabricant/distributeur.

Cette garantie ne s'applique pas à un produit ayant fait l'objet d'une utilisation inappropriée, d'un abus ou d'une modification, sans limiter la portée de ce qui précède, d'une torsion ou d'une chute de l'appareil, de défauts dans l'installation électrique du domicile ou de fluctuations des niveaux de puissance, considérés comme des défauts résultant d'une utilisation inadéquate ou abusive. La charge de la preuve de la non-conformité au cours des deux premières années incombe au distributeur/fabricant, puis aux consommateurs par la suite.

Après la période de garantie, des frais sont encourus par le client, dont le calcul est basé sur la formule suivante :

Frais de transport + Frais de réparation (matériaux et main-d'œuvre) + Frais de douane (le cas échéant)

NI CETTE GARANTIE, NIAUCUNE GARANTIE, EXPLICITE OU IMPLICITE, TELLES QUE LES GARANTIES IMPLICITES OU DE VALEUR MARCHANDE, NE DOIT DÉPASSER LA PÉRIODE DE GARANTIE. AUCUNE RESPONSABILITÉ N'EST ASSUMÉE POUR TOUT DOMMAGE DIRECT OU INDIRECT, CERTAINS ÉTATS N'AUTORISENT PAS LA LIMITATION DE DURÉE D'UNE GARANTIE IMPLICITE; CERTAINS ÉTATS N'AUTORISENT PAS L'EXCLUSION OU LA LIMITATION DES DOMMAGES DIRECTS OU INDIRECTS, DONC LES LIMITATIONS OU EXCLUSIONS CI-DESSUS PEUVENT NE PAS VOUS CONCERNER. AIRFREE® PRODUCTS EXCLUT SPÉCIFIQUEMENT TOUTE GARANTIE FORMELLE NON DÉCRITE AILLEURS DANS LE PRÉSENT DOCUMENT ET TOUTE GARANTIE IMPLICITE OU DE QUALITÉ MARCHANDE POUR S'ADAPTER À USAGE PARTICULIER. IL N'Y A AUCUNE GARANTIE QUI DÉPASSE LA DESCRIPTION DE LA PRÉSENTE. Cette garantie vous donne des droits légaux spécifiques, et vous pouvez disposer d'autres droits, qui varient selon les états et les pays.

*AIRFREE® PRODUCTS, Julieta Ferrão 10, 9th Floor, 1600 -131 Lisbon, Portugal
Téléphone : 351 - 213 156 222 | Fax: 351 - 213 516 228
Web: www.airfree.com | E-mail: info@airfree.com

Les modèles suivants sont des filtres à air certifiés par CARB:ELITE (855090006051)

