

SHARPER IMAGE®

CORDLESS AUTO STOP TIRE INFLATOR BY SHARPER IMAGE

Item No. 209489

User Guide



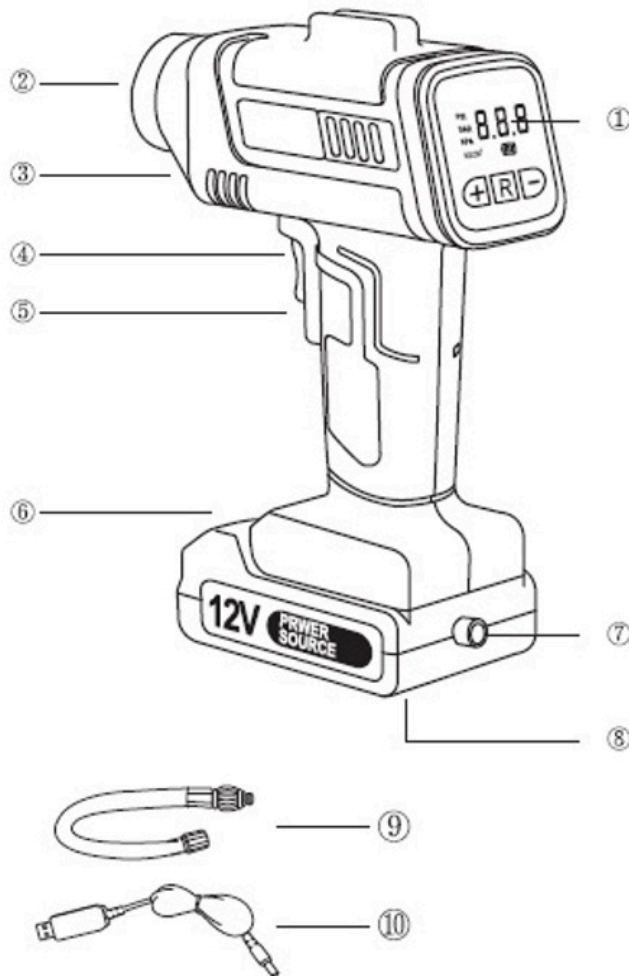
Thank you for your purchase of the Auto Stop Tire Inflator by Sharper Image. Please read this manual thoroughly before operating this device.

SPECIFICATIONS

- Ideal for inflating car tires, motorcycle tires, sporting equipment, etc.
- Inflates a care tire in approximately 6 minutes
- Power: 120W
- Input Voltage: 12.6V
- Lithium Battery Capacity: 2000mAh
- Digital pressure gauge in PSI, BAR, KPA or KG/CM²
- Accurate to ±0.5 PSI
- Maximum inflation pressure: 120 PSI
- USB Charging Cable [AC adaptor not included]
- Runs on a rechargeable battery
- Charging time: 4 hours

IDENTIFICATION OF PARTS

1. Digital Readout
2. Inflation Inlet
3. LED Light
4. Trigger
5. Safety Lock
6. Battery Pack Lock
7. Charging Port
8. Battery Pack
9. Inflation Tube
10. USB Charging Cable



WARNING

- For your own safety, use only the parts and accessories included in this package.
- Use of accessories and other parts are not mentioned in the instructions may increase the risk of user injury.
- Do not use this air compressor for anything other than its intended purpose.

IMPORTANT SAFETY INSTRUCTIONS

- Do not allow children to connect/disconnect the air compressor to/from power sources.
- Do not leave children unattended with the air compressor.
- The air compressor is not a toy. Do not allow children to play with the air compressor.
- Do not allow anyone to pump air into the mouth, ears, nose, etc. of people or animals, as this could result in serious injury or death.
- Do not use the air compressor near flammable fluids or gases.
- Always work in a well-lit area.
- Do not run the air compressor continuously for more than 15 minutes. After each 15 minutes, allow the air compressor to cool for a minimum of 15 minutes.
- Switch off the air compressor if it makes abnormal noise or overheats. Allow the air compressor to cool down for at least 15 minutes.
- Always be careful when removing the air hose.
- Do not expose the air compressor battery to rain or frost or temperatures above 122°F
- Do not change the battery in humid or wet conditions.
- Store the air compressor in a secure location.
- If the air compressor is going to be unused for long periods of time, it should be stored in a dry place, inaccessible to children.
- Fully charge the battery before use.
- Properly lock the safety switch when not in use to prevent accidental activation.
- Should ONLY be used with a 12V vehicle DC outlet.
- Do not dismantle this product.
- Do not place the inflator near heat sources, such as an automotive heat rejection outlet.

TROUBLESHOOTING

This section addresses common issues you may encounter while using the Cordless Auto Stop Tire Inflator by Sharper Image.

Problem: The product does not turn on

- **Low battery:** Recharge the inflator.
- **Failed to preset tire pressure or flickering display:** Ensure you preset the tire pressure correctly. If the display is flickering, wait until it stops, then preset the tire pressure again and start inflating.

Problem: The charge lamp is off

- Power connection issue: Ensure the power cord is securely connected to the inflator. Close the air pump properly.

Problem: The product operates abnormally

- **Improper connection:** Ensure the charging connector and the tire are properly connected.
- **Display setting failure:** Check the tire pressure value and preset it correctly. Refer to the tire's instructions for the recommended pressure. The display will indicate the correct pressure needed for the tire.

Problem: The product operates abnormally

- **Improper connection:** Ensure the charging connector and the tire are properly connected.
- **Display setting failure:** Check the tire pressure value and preset it correctly. Refer to the tire's instructions for the recommended pressure. The display will indicate the correct pressure needed for the tire.

BATTERY CHARGING INSTRUCTIONS

Note: you must charge your air compressor fully before initial use.

1. Remove the battery from the air compressor.
2. Charge the battery using the included USB charging cable. Connect the USB charging cable to the device, then plug the other end into a 12V AC adaptor (not included) connected to a standard AC outlet. Note: Use only the included USB charging cable. Do not use any other charging cable.
3. When the battery is fully charged, you may begin the inflation steps 1-6 below.

INSTRUCTIONS FOR USE

1. **Power:** Plug the 12V power cord into the 12V DC outlet in your vehicle.
2. **Insert Inflation Tube:** Insert the inflation hose with thread connector into the inflation inlet and tighten. [Fig. 1 and Fig. 2].



Fig. 1: Align for connection

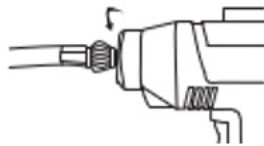
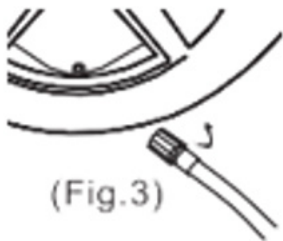
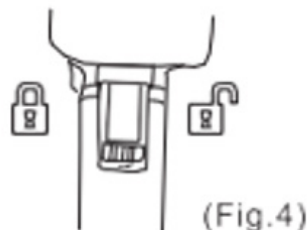


Fig. 2: Turn to lock into place

3. **Turn on:** Turn on the air compressor.
4. **Attach to Tire Valve:** Securely turn the air tap onto the tire valve core [Fig. 3].



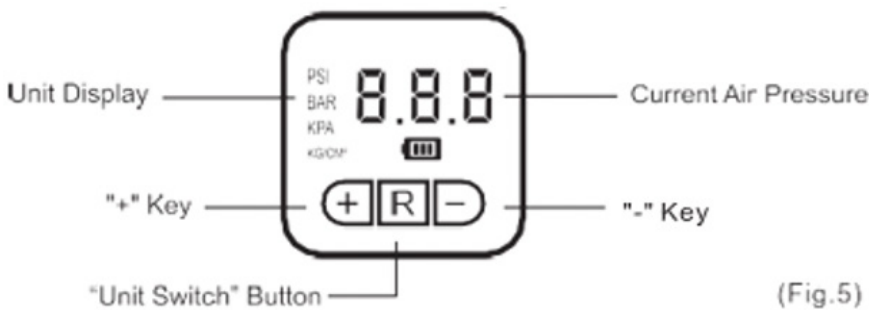
5. **Open Safety Lock:** Open the safety lock [Fig. 4].



6. Confirm Connection: Confirm that the nozzle connection is tight and there is no air leakage.

· Digital Display [Fig. 5]:

- To set the tire pressure press “R” to switch units
- Use the “+” or “-” buttons to adjust the pressure value



(Fig.5)

7. Turn on the Inflation Switch: Wait for the display to stop flickering, then turn on the inflation switch. The air pump will automatically stop once the set pressure is reached.

8. Turn off the Inflation Switch: Turn off the switch and unscrew the inflation tube to complete the inflation process.

LED LIGHT:

- The air pump includes an LED light for convenient use at night.
- Press and hold the “R” key for 3 seconds to turn off the light.
- To turn the light off again, press and hold the “R” key for another 3 seconds.

INSTALLING A NEW FUSE

1. Unscrew the top of the plug using pliers.
2. Extract the fuse.
3. Insert the new fuse.



WARRANTY AND CUSTOMER SERVICE

This item from SharperImage.com includes a 1-year limited replacement warranty. If you have any questions not covered in this guide, please call our Customer Service department at 1 (877) 210-3449. Customer Service agents are available Monday through Friday, 9:00 a.m. to 6:00 p.m. ET.

SHARPER IMAGE®

The SHARPER IMAGE® name and logo are registered trademarks.

©Sharper Image. All Rights Reserved.